

Installation & Maintenance Instructions

# CLOSED SYSTEM

With Sight Gauge / Constant Level Oiler



Supplied by

**247able.com**

Call us on +44 (0)118 916 9420 | Email [info@247able.com](mailto:info@247able.com)



# CLOSED SYSTEM

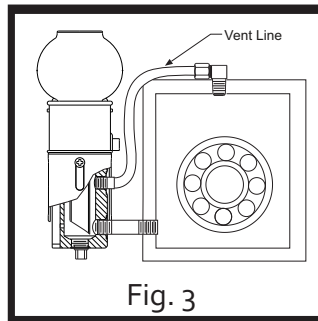
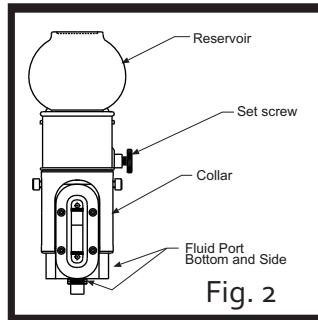
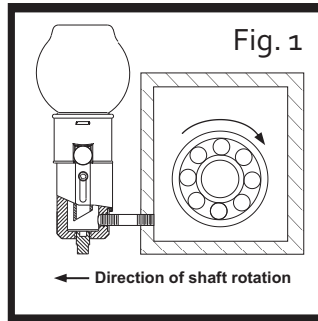
With Sight Gauge / Constant Level Oiler

## Read Instructions Before Installing

- DO remove the reservoir from the CLOSED SYSTEM during installation and removal.
- DO NOT install or remove the CLOSED SYSTEM with or by use of the reservoir assembly.
- DO NOT use the CLOSED SYSTEM for stepping, standing, or heavy loading as these actions could cause a change in oil level settings and may cause leaks.
- DO use the bottom fluid port if oil level is set at the lowest level for optimal oil feeding.

### To Install:

1. Prior to installing the CLOSED SYSTEM, shaft rotation direction must be determined, typically indicated by an arrow on the casting of the equipment. Install oiler on the side of the equipment facing the direction of shaft rotation to prevent misfeeding of the oiler (see Fig 1).
2. Loosen set screw on reservoir assembly. Remove reservoir and put aside (Fig. 2).
3. Verify that there are no contaminants or noticeable particles in the CLOSED SYSTEM or bearing housing.
4. Tighten supplied plug in side or bottom fluid port, sealant is not necessary on plug. If using side fluid port to connect CLOSED SYSTEM to the bearing housing, tighten plug in bottom fluid port. If using bottom fluid port to connect CLOSED SYSTEM to the bearing housing, tighten plug in side fluid port (Fig. 2).
5. Apply pipe thread sealant to both ends of a 1/4" NPT male nipple. Tighten nipple in remaining fluid port and bearing housing. If bottom fluid port is remaining, an elbow may need to be used. The CLOSED SYSTEM should be parallel to the bearing housing in a vertical position within  $\pm 1^\circ$  (Fig. 3).
6. Apply pipe thread sealant to a 1/8"NPT x 1/4"OD male connector and tighten it into the vent port on the CLOSED SYSTEM.
7. Apply pipe thread sealant to a 1/8"NPT x 1/4"OD male connector and tighten it into the vent port on the bearing housing.
8. Connect a section of 1/4"O.D. copper or nylon tubing to the 1/8" NPT connectors. This will serve as the vent line (fig. 3).
9. Adjust the collar to the desired fluid level. Bottom of collar indicates fluid level (see back side for dimensions from centerline of side port to bottom of collar.)
10. Fill the bearing chamber through the main body of the CLOSED SYSTEM until it reaches just below the optimum fluid level visible in the sight. Use the reservoir to feed oil to the proper level.
11. Using a funnel, fill the reservoir.
12. Place thumb over reservoir spout, invert, and insert the spout into the main body of CLOSED SYSTEM until upper casting bottoms out on the collar.
13. Oil may drain out of the reservoir and into bearing housing. Secure set screws on upper casting.
14. Start up machine and verify proper oil level is being maintained.



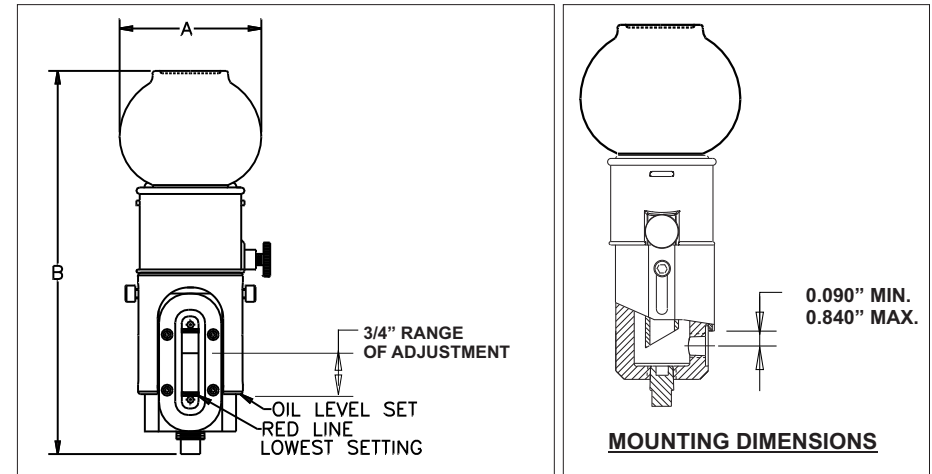
# CLOSED SYSTEM

With Sight Gauge / Constant Level Oiler

## Product Ordering:

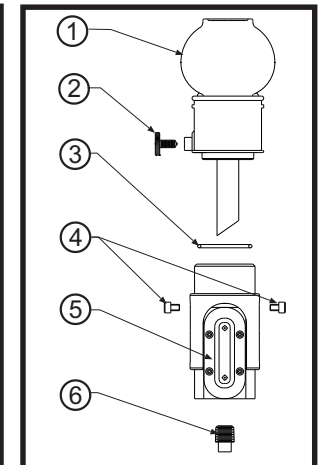
MODEL NO.	CAPACITY	DIM A	DIM B MIN.	DIM B MAX.	NPT*
30203	4 OZ.	2-11/16	7-1/16	7-13/16	1/4"
30205	8 OZ.	3-3/16	8-00	8-3/4	1/4"
30210	16 OZ.	4-1/8	8-7/8	9-5/8	1/4"

\*-SIDE AND BOTTOM PORTS. VENT LINE IS 1/8" NPT.



## Replacement Parts:

ITEM #	DESCRIPTION	CATALOG #
1	4 Ounce Reservoir Assy.	26113R
	8 Ounce Reservoir Assy.	26115R
	16 Ounce Reservoir Assy	26120R
2	Set Screw	10267R
3	O-Ring 1.375" ID x .062 CS	12829
4	Hex Socket Screw	10262R
5	Sight Gauge	26121R
6	1/4" Square Plug	10321R



### See Reverse Side For Specific Instructions On Installing The Closed System

TRICO CORP. 1235 HICKORY STREET, PEWAUKEE, WI 53072 TEL. (262) 691-9336 FAX (262) 691-2576  
www.tricocorp.com