

Installation & Maintenance Instructions

BA504G, BA504G-SS BA524G & BA524G-SS

general purpose loop-powered field mounting indicators



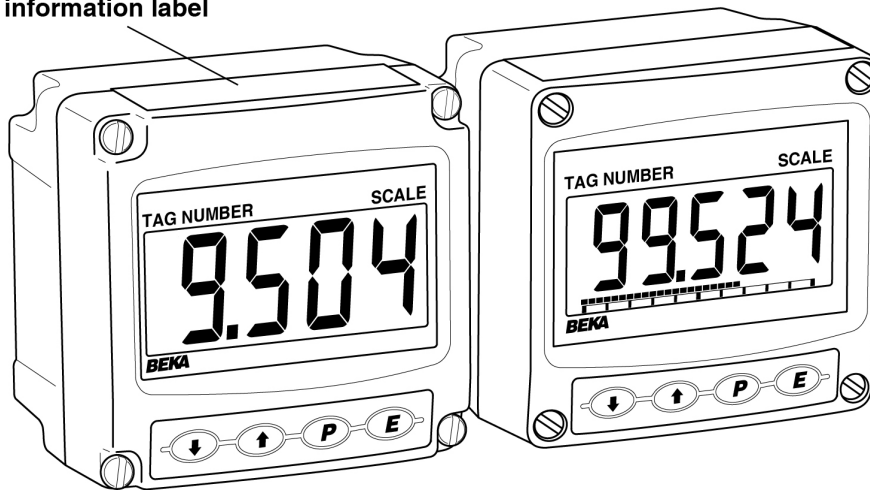
Supplied by

247cable.com


Call us on +44 (0)118 916 9420 | Email info@247able.com

**BA504G, BA504G-SS
BA524G and BA524G-SS
general purpose
loop-powered
field mounting indicators**
Issue 5

Product
information label



CONTENTS

- | | |
|--|---|
| <p>1. Description</p> <p>2. Operation</p> <p>2.1 Controls</p> <p>3. Applications</p> <p>3.1 Transmitter loops</p> <p>3.2 Remote indication</p> <p>4. Installation</p> <p>4.1 Location</p> <p>4.2 GRP models BA504G & BA524G</p> <p>4.3 Stainless steel models BA504G-SS & BA524G-SS.</p> <p>4.4 Installation procedure</p> <p>4.5 EMC</p> <p>4.6 Units of measurement and tag marking on scale card.</p> <p>5. Configuration and Calibration</p> <p>5.1 Summary of configuration functions</p> <p>5.2 Indicator function: F_{UN}</p> <p>5.3 Resolution: $rE5n$</p> <p>5.4 Position of the decimal point: dP</p> <p>5.5 Calibration using an external current source: ERL.</p> <p>5.6 Calibration using internal reference: $5Et$</p> <p>5.7 Bargraph format and calibration: bRR</p> <p>5.8 Function of the  push-button: $[- - P$</p> <p>5.9 Tare function: $tRR-E$</p> <p>5.10 Security code: $[odE$</p> <p>5.11 Reset to factory defaults: $r5Et$</p> <p>5.12 Under and over-range</p> <p>6. Lineariser</p> <p>6.1 Lineariser calibration using an external current source.</p> <p>6.1.1 Example, Adding break-points indicator.</p> <p>6.2 Lineariser calibration using internal reference.</p> <p>6.2.1 Example, Adding break-points to a new indicator.</p> <p>6.3 Under and over-range</p> <p>6.4 Lineariser default configuration</p> | <p>7. Maintenance</p> <p>7.1 Fault finding during commissioning</p> <p>7.2 Fault finding after commissioning</p> <p>7.3 Servicing</p> <p>7.4 Routine maintenance</p> <p>7.5 Guarantee</p> <p>7.6 Customer comments</p> <p>8. Accessories</p> <p>8.1 Units of measurement and instrument identification.</p> <p>8.2 Display backlight</p> <p>8.2.1 Loop powering the backlight</p> <p>8.2.2 Separately powering the backlight.</p> <p>8.3 Alarms</p> <p>8.3.1 Solid state output</p> <p>8.3.2 Configuration and adjustment</p> <p>8.3.3 Alarm enable: $EnbL$</p> <p>8.3.4 Setpoint adjustment: $SP1$ and $SP2$.</p> <p>8.3.5 Alarm function: H, Lo</p> <p>8.3.6 Alarm output status: $no.n$</p> <p>8.3.7 Hysteresis: $H5tr$</p> <p>8.3.8 Alarm delay: $dELR$</p> <p>8.3.9 Alarm silence time: $5, L$</p> <p>8.3.10 Flash display when alarm occurs: $FL5H$.</p> <p>8.3.11 Access setpoint in display mode: $RL5P$.</p> <p>8.3.12 Adjusting alarm setpoints from the display mode.</p> <p>8.3.13 Display setpoints on BA524G or BA524G-SS bargraph.</p> <p>8.4 Pipe mounting kits</p> <p>8.5 Panel mounting kits</p> <p>8.5.1 BA394G</p> <p>8.5.2 BA494G</p> <p>8.5.3 BA494G-SS</p> <p>8.6 Back-box terminal assembly</p> |
|--|---|

1. DESCRIPTION

These field mounting, general purpose digital indicators display the current flowing in a 4/20mA loop in engineering units. They are loop powered but only introduce a 1.2V drop, which allows them to be installed into almost any 4/20mA current loop. No additional power supply or battery is required.

All the models are electrically similar, but have different size displays and different enclosure materials.

Model	Display
BA504G	4 digits 34mm high in GRP enclosure.
BA504G-SS	4 digits 34mm high in stainless steel enclosure.
BA524G	5 digits 29mm high with 31 segment bargraph in GRP enclosure.
BA524G-SS	5 digits 29mm high with 31 segment bargraph in stainless steel enclosure.

This instruction manual supplements the instruction sheet supplied with each instrument.

The main application of all models is to display a measured variable or control signal in a process area. The zero and span of the display are independently adjustable so that the indicator can be calibrated to display any variable represented by the 4/20mA current, e.g. temperature, flow, pressure or level.

The BA504G, BA504G-SS, BA524G and the BA524G-SS are not certified for use in explosive atmospheres. For hazardous area applications the BA304G, BA304G-SS, BA324G or the BA324G-SS should be used.

2. OPERATION

Fig 1 shows a simplified block diagram of all models. The 4/20mA input current flows through resistor R1 and forward biased diode D1. The voltage developed across D1, which is relatively constant, is multiplied by a switch mode power supply and used to power the instrument. The voltage developed across R1, which is proportional to the 4/20mA input current, provides the input signal for the analogue to digital converter.

Each time a 4/20mA current is applied to the instrument, initialisation is performed during which all segments of the display are activated, after five seconds the instrument displays the input current using the calibration information stored in the instrument memory. If the loop current is too low to power the instrument the indicator will display the error message L P L a.

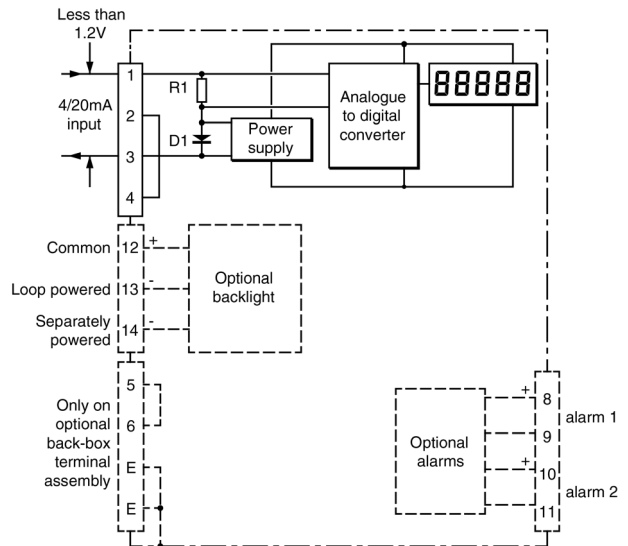


Fig 1 Indicator block diagram

2.1 Controls

All models are controlled and calibrated via four front panel push buttons. In the display mode i.e. when the indicator is displaying a process variable, these push buttons have the following functions:

- P While this button is pushed the indicator will display the input current in mA, or as a percentage of the instrument span depending upon how the indicator has been configured. When the button is released the normal display in engineering units will return. The function of this push button is modified when optional alarms are fitted to the indicator.
- ▼ While this button is pushed the indicator will display the numerical value and analogue bargraph* the indicator has been calibrated to display with a 4mA^φ input. When released the normal display in engineering units will return.
- ▲ While this button is pushed the indicator will display the numerical value and analogue bargraph* the indicator has been calibrated to display with a 20mA^φ input. When released the normal display in engineering units will return.
- E No function in the display mode unless the tare function is being used.
- P + ▼ Indicator displays firmware number followed by version.
- P + ▲ Provides direct access to the alarm setpoints when the indicator is fitted with optional alarms and the $\mathcal{R}\mathcal{L}\mathcal{S}\mathcal{P}$ access setpoints function has been enabled.
- P + E Provides access to the configuration menu via optional security code.

Note: * BA524G and BA524G-SS only
^φ If the indicator has been calibrated using the CAL function, calibration points may not be 4 and 20mA.

3. APPLICATIONS

3.1 Transmitter loops

All models may be connected in series with almost any 4/20mA current loop and calibrated to display the measured variable or control signal in engineering units.

Fig 2 illustrates a typical application in which an indicator is connected in series with a 2-wire transmitter.

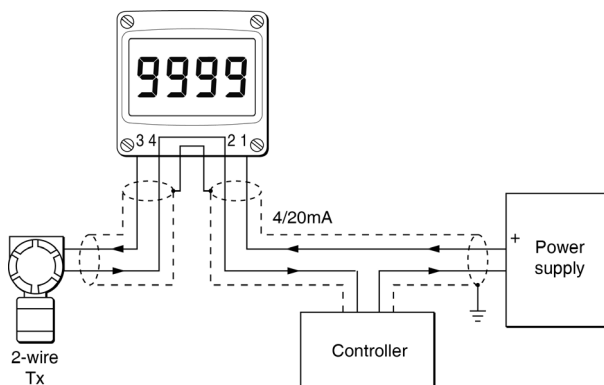


Fig 2 Indicator in transmitter loop

Considering the example shown in Fig 2, the sum of the maximum voltage drops of all the components in the loop must be less than the minimum power supply voltage.

Minimum operating voltage of 2-wire Tx	10.0
Maximum voltage drop caused by controller	5.0
Maximum voltage drop caused by indicator	1.3
Maximum voltage caused by cables	0.4

16.7V

Therefore in this example at 20mA the power supply must have a minimum output of 16.7V

3.2 Remote indication

All models may be driven from any 4/20mA signal to provide a remote indication. Fig 3 shows a typical application in which the 4/20mA output from a gas analyser is connected to a BA504G loop powered indicator to provide a remote indication of the analyser's output. Again it is necessary to ensure that the voltage capability of the 4/20mA source is greater than the sum of the voltage drops introduced by the indicator and the cable resistance.

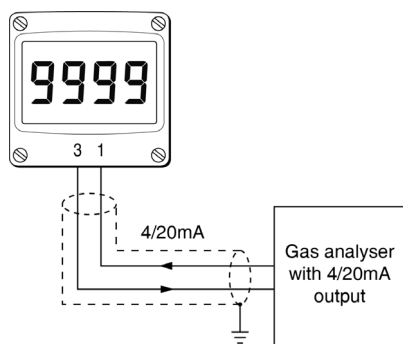


Fig 3 Indicator providing a remote display

4. INSTALLATION

4.1 Location

BA504G and BA524G indicators have a GRP enclosure and BA504G-SS and BA524G-SS indicators have a 316 stainless steel enclosure. Both provide IP66 ingress protection after a 7J impact and have a thick armoured window which will withstand a 4J impact. They are suitable for exterior mounting in most industrial and marine environments.

The indicators should be positioned where the display is not in continuous direct sunlight.

Field wiring terminals are located on the rear of the indicator assembly as shown in Fig 5c. Indicator terminals 2 and 4 are internally joined and may be used for linking the return 4/20mA wire - see Fig 2.

The indicators are surface mounting, but may be pipe mounted using one of the accessory kits described in section 8.4 or panel mounted as shown in section 8.5.

4.2 GRP models

BA504G and B524G

The GRP models are fitted with a bonding plate to ensure electrical continuity between the two conduit or cable entries. The bonding plate may be mounted on the inside or outside of the enclosure and includes an M4 earth stud. If the carbon loaded GRP enclosure is not bolted to an earthed post or structure, this earth stud should be connected to the plant potential equalising conductor.

An insulated M4 stud is provided in the bottom right hand corner of the GRP back-box for interconnecting cable screens.

If field wiring is to be terminated prior to the installation of the indicator assembly, the GRP models, BA504G and BA524G, can be supplied with an optional back-box terminal assembly, which includes a 4/20mA continuity diode. See section 8.6 of this manual. This option is not available for the stainless steel models.

4.3 Stainless steel models

BA504G-SS and BA524G-SS

The stainless steel models have an earthing terminal in the lower left hand side of the back-box. If the stainless steel enclosure is not bolted to an earthed post or structure, this earth terminal should be connected to the plant potential equalising conductor.

An insulated M4 stud is provided in the bottom right hand corner of the stainless steel back-box for interconnecting cable screens.

4.4 Installation Procedure

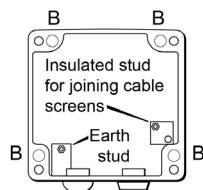
Fig 4 illustrates the instrument installation procedure for all models.

- Remove the indicator assembly by unscrewing the four captive 'A' screws.
- Mount the enclosure back-box on a flat surface and secure with screws or bolts through the four 'B' holes. Alternatively use one of the pipe or panel mounting kits described in sections 8.4 and 8.5.
- Remove the temporary hole plug and install an appropriate IP rated cable gland or conduit fitting. If two entries are required, the IP66 stopping plug should be replaced with an appropriate IP and temperature rated cable gland or conduit fitting.
- Connect the field wiring to the terminals as shown in Fig 5c. Replace the instrument assembly on the back-box and evenly tighten the four 'A' screws.



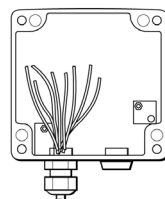
Step A

Unscrew the four captive 'A' screws and separate the indicator assembly and the back-box.



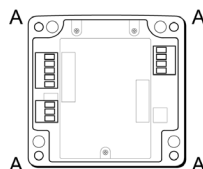
Step B

Secure the enclosure back-box to a flat surface with M6 screws through the four 'B' holes. Alternatively use a pipe mounting kit.



Step C

Remove the temporary hole plug and install an appropriate IP rated cable gland or conduit fitting. Feed the field wiring through the cable entry.



Step D

Terminate field wiring on the indicator assembly. Replace the indicator assembly on the enclosure back-box and tighten the four 'A' screws.

Fig 4 Indicator installation procedure

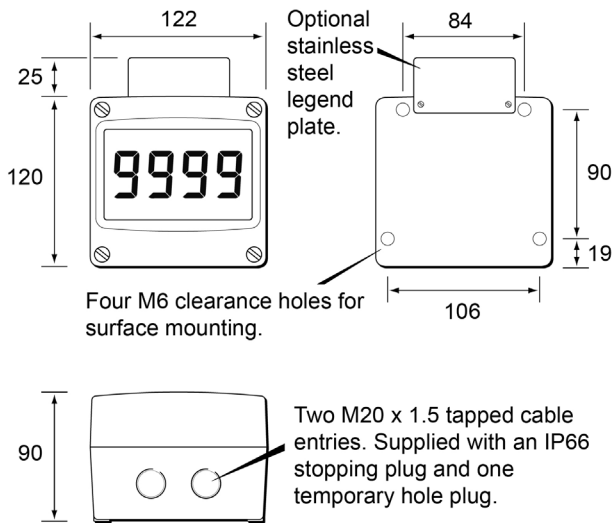


Fig 5a Dimensions for BA504G and BA524G.

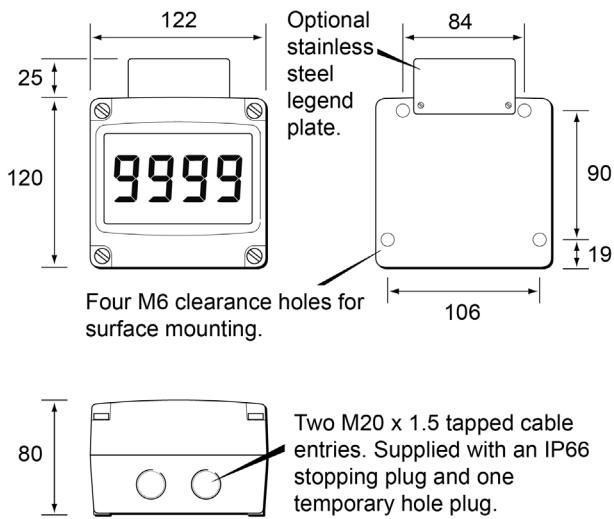


Fig 5b Dimensions for BA504G-SS and BA524G-SS.

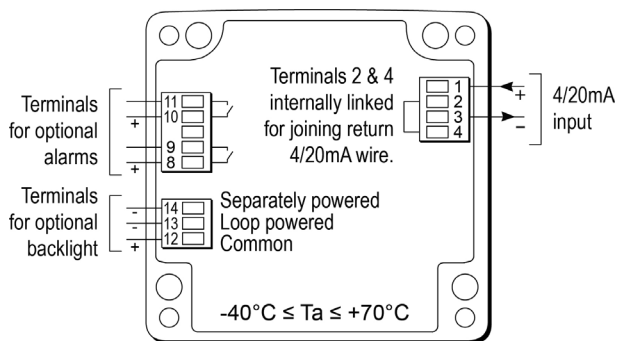


Fig 5c Terminal connections for all models.

4.5 EMC

All the indicators comply with the requirements of the European EMC Directive 2014/30/EU. For specified immunity all wiring should be in screened twisted pairs, with the screens earthed at one point.

An insulated stud is included in the indicator back-box for joining cable screens.

The optional back-box terminal assembly for GRP indicators, which is described in section 8.6, includes a pair of isolated linked terminals 5 and 6 for joining cable screens.

4.6 Units of measurement and tag marking on scale card.

The indicator's units of measurement and tag information are shown on a scale card which slides into the indicator.

New indicators are supplied with a printed scale card showing the requested units of measurement and tag information. If this information is not supplied when the indicator is ordered, a blank scale card will be fitted which can easily be marked on-site with a dry transfer or a permanent marker. Custom printed scale cards are available from BEKA associates as an accessory.

To remove the scale card from an indicator carefully pull the transparent tab at the rear of the indicator assembly away from the indicator as shown in Fig 6a.

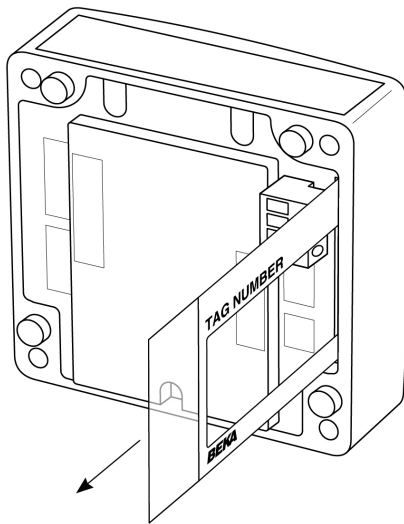


Fig 6a Removing scale card

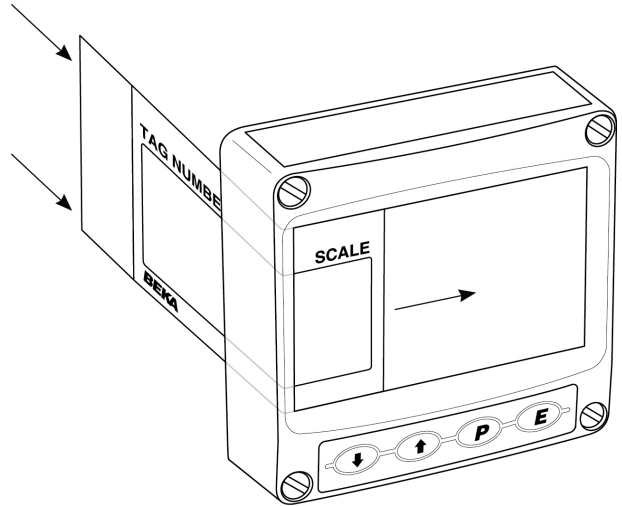


Fig 6b Inserting scale card into the instrument assembly.

To replace the scale card carefully insert it into the slot on the right hand side of the input terminals as shown in Fig 6b. Force should be applied evenly to both sides of the scale card to prevent it twisting. The card should be inserted until about 2mm of the transparent tab remains protruding.

5. CONFIGURATION AND CALIBRATION

All the indicators are configured and calibrated via four front panel push buttons. The configuration functions are contained in an easy to use intuitive menu that is shown diagrammatically in Fig 7.

Each menu function is summarised in section 5.1 and includes a reference to more detailed information. When the indicator is fitted with alarms additional functions are added to the menu which are described in section 8.3

Throughout this manual push buttons are shown as **P**, **E**, **▼** or **▲**, and legends displayed by the indicator are shown in a seven segment font as displayed by the indicator e.g. **LR1** and **RLr2**.

Access to the configuration menu is obtained by operating the **P** and **E** push buttons simultaneously. If the indicator security code is set to the default **0000** the first parameter **FunE** will be displayed. If a security code other than the default code **0000** has already been entered, the indicator will display **Code**. Pressing the **P** button will clear this prompt allowing each digit of the code to be entered using the **▼** or **▲** push button and the **P** button to move control to the next digit. When the correct four digit code has been entered, pressing **E** will cause the first parameter **FunE** to be displayed. If the code is incorrect, or a button is not pressed within twenty seconds, the indicator will automatically return to the display mode.

Once within the configuration menu the required parameter can be reached by scrolling through the menu using the **▼** or **▲** push button as shown in Fig 7. When returning to the display mode following recalibration or a change to any function, the indicator will display **ERR** followed by **SAVE** while the new information is stored in permanent memory.

All new indicators are supplied calibrated as requested at the time of ordering. If calibration is not requested, indicators will be supplied with the following default configuration:

Default Configuration

	BA504G BA504G-SS	BA524G BA524G-SS
Access code Code	0000	0000
Function FunE	Linear	Linear
Display at 4mA Zero	0.0	0.00
Display at 20mA Span	100.0	100.00
Resolution rEn	1 digit	1 digit
Bargraph start brLo	----	0.00
Bargraph finish brHi	----	100.00
P button in display mode LRP	%	%
Tare tRE	Off	Off

5.1 Summary of configuration functions

This section summarises each of the main configuration functions and includes a cross reference to a more detailed description. Fig 7 illustrates the location of each function within the configuration menu. The lineariser and the optional factory fitted alarms are described separately in sections 6 and 8.3 of this manual.

Display	Summary of function
---------	---------------------

FunE Indicator function

Defines the relationship between the 4/20mA input current and the indicator display. May be set to:

- Std** Standard linear relationship
- root** Square root extraction
- Lin** 16 segment adjustable lineariser – see section 6.

See section 5.2

rEn Display resolution

Defines the resolution of the least significant display digit. May be set to 1, 2, 5 or 10 digits.

See section 5.3

dP Decimal point

Positions a dummy decimal point between any of the digits or turns it off.

See section 5.4

LR Calibration of the digital display using an external current source.

Enables the zero and span of the indicator to be adjusted using an external current source such as a calibrator. When used with an accurate traceable current source this is the preferred method of calibration.

See section 5.5

SE Calibration of display using internal references.

Enables the zero and span of the indicator to be adjusted without the need for an accurate input current or disconnection from the 4/20mA loop. See section 5.6

br Bargraph format and calibration

Only the BA524G and the BA524G-SS have a bargraph

The bargraph may be conditioned to start from left, right or centre of the display, or it may be disabled. When optional alarms are fitted it can also display both alarm setpoints and the measured value. The bargraph may be calibrated to start and finish at any value within the indicator's calibrated digital display.

See section 5.7

Display	Summary of function
---------	---------------------

[--P	Function of [P] push button
-------------	---

	The indicator may be configured to display the input current in milliamps, or the input current as a percentage of the 4/20mA input when the [P] push button is operated in the display mode.
--	--

	See section 5.8
--	-----------------

LRrE	Tare function
-------------	----------------------

	When enabled the tare function sets the indicator display to zero when the [E] push button is operated in the display mode.
--	--

	See section 5.9
--	-----------------

[odE	Security code
-------------	----------------------

	Defines a four digit numeric code that must be entered to gain access to the configuration menu. Default code 0000 disables this security function and allows unrestricted access to all conditioning functions.
--	--

	See section 5.10
--	------------------

r5Et	Reset
-------------	--------------

	Contains two sub-functions, [onF which returns the indicator to the default conditions shown in section 5.0 and LRrE which returns the lineariser to the default conditions shown in section 6.4. To prevent accidental use both resets must be confirmed by entering 5urE before they will be executed.
--	---

	See section 5.11
--	------------------

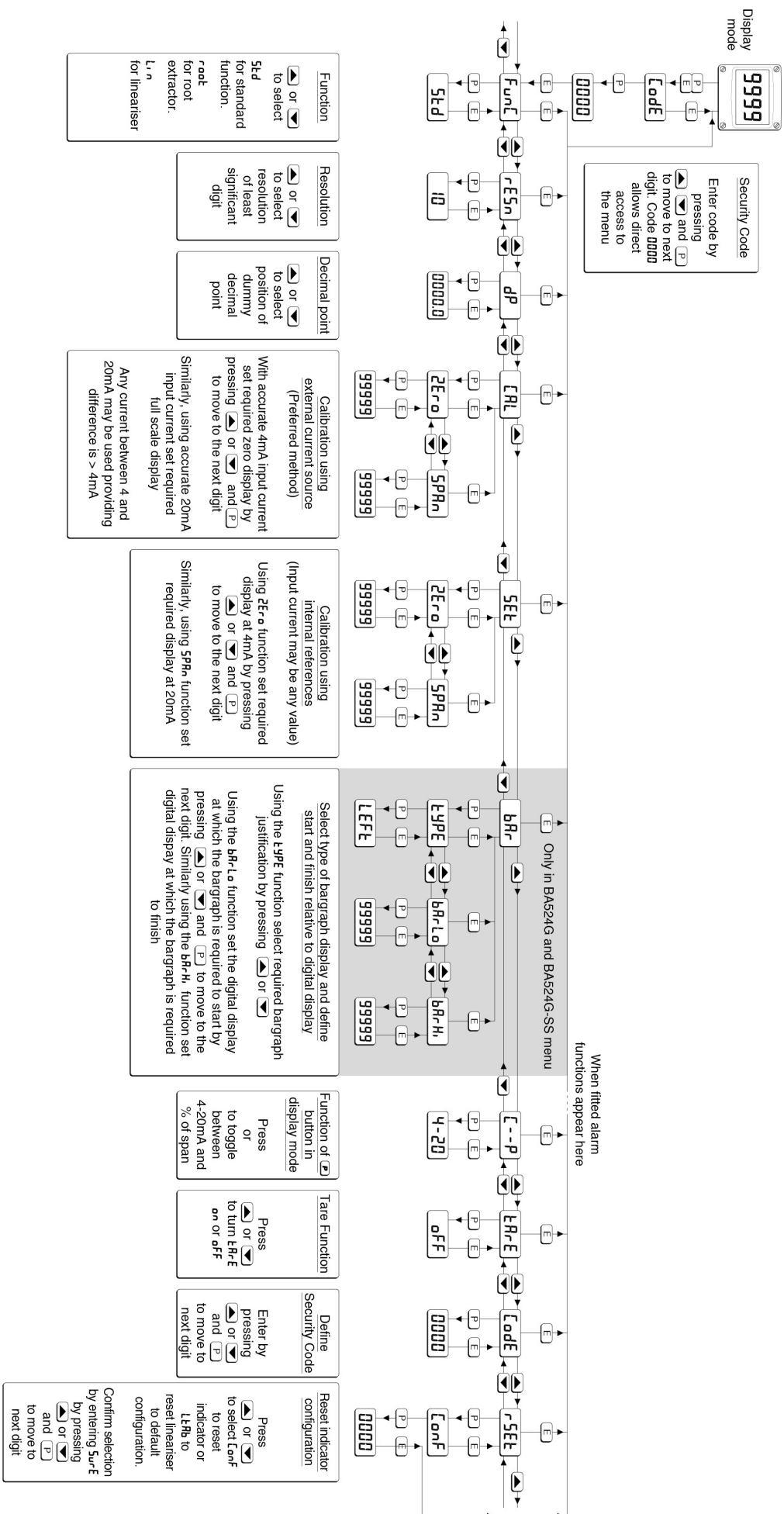


Fig 7 Configuration menu

5.2 Indicator function: F_{unf}

This configuration function defines the relationship between the indicator's 4/20mA input current and the indicator's display. Three alternatives are available:

Std	Standard linear relationship
$root$	Square root extraction
Lin	16 segment adjustable lineariser

To reveal the existing indicator function select F_{unf} from the configuration menu and press $[P]$. If the function is set as required, press $[E]$ to return to the menu, or press the $[▼]$ or $[▲]$ button to change the setting, followed by the $[E]$ button to return to the configuration menu.

Std Linear

Provides a linear relationship between the 4/20mA indicator input current and the indicator display.

$root$ Square root extraction

Primarily intended to linearise the square law 4/20mA output from differential flowmeters.

For reference, the following table shows the output current from a non-linearised differential flowmeter.

% of full flow	Current output mA
2.5	4.01
10.0	4.16
25.0	5.00
50.0	8.00
75.0	13.00
100.0	20.00

When the root function is selected the indicator will display flow in linear units.

Lin 16 segment adjustable lineariser

Enables non-linear variables to be displayed by the indicator in linear engineering units. Use of the lineariser is described in section 6 of this instruction manual.

5.3 Resolution: $rE5n$

This function defines the resolution of the least significant display digit. Decreasing the display resolution can improve the readability of a noisy signal. Select $rE5n$ from the menu and press $[P]$ which will reveal the current display resolution. To change the resolution press the $[▼]$ or $[▲]$ button to select 1, 2, 5 or 10 digits, followed by the $[E]$ button to enter the selection and return to the configuration menu.

5.4 Position of the decimal point: dP

A dummy decimal point can be positioned between any of the digits or it may be absent. To position the decimal point select dP from the menu and press $[P]$. The decimal point can be moved by pressing the $[▼]$ or $[▲]$ push button. If a decimal point is not required it should be positioned beyond the most or least significant digit. When positioned as required press the $[E]$ button to enter the selection and return to the configuration menu.

5.5 Calibration using an external current source: $[RL]$

This function enables the zero and span of the indicator to be adjusted using an external calibrated current source. When used with an accurate traceable current source this is the preferred method of calibration.

Zero is the indicator display with 4mA input
Span is the indicator display with 20mA input

To calibrate the indicator select $[RL]$ from the configuration menu and press $[P]$. The indicator will display $ZEro$ which is a request for a 4mA input current. Adjust the external current calibrator to 4.000mA and again press $[P]$ which will reveal the current zero display. The flashing digit of the indicator display can be changed by pressing the $[▼]$ or $[▲]$ button, when set as required pressing $[P]$ will transfer control to the next digit. When all the digits have been adjusted, press $[E]$ to enter the new zero and return to the $ZEro$ prompt.

Pressing the $[▲]$ button will cause the indicator to display $SPRn$ which is a request for a 20mA input current. Adjust the external current calibrator to 20.000mA and again press $[P]$ which will reveal the existing span display. The flashing digit of the indicator display can be changed by pressing the $[▼]$ or $[▲]$ button, when set as required pressing $[P]$ will transfer control to the next digit. When all the digits have been adjusted press $[E]$ to enter the new span and return to the $SPRn$ prompt. Finally press $[E]$ again to return to the configuration menu.

Notes:

- The indicator input current must be adjusted to the required value before the zero and span functions are entered by pressing the $[P]$ button.
- Indicators may be calibrated at currents other than 4 and 20mA, within the range 3.8 to 21.0mA providing the difference between the two currents is greater than 4mA. If these conditions are not complied with, the indicator displays FR, L and aborts the calibration.
- If the zero current is greater than the span current the instrument will be reverse acting i.e. an increasing input current will cause the display to decrease.

5.6 Calibration using internal reference: 5E£

Using the 5E£ function the indicator can be calibrated without the need to know the value of the 4/20mA input current, or to disconnect the indicator from the 4/20mA loop.

When using the 5E£ function the indicator's internal reference is used to simulate a 4mA and 20mA input current.

Zero is the display with a simulated 4mA input
Span is the display with a simulated 20mA input

To calibrate the indicator display select 5E£ from the configuration menu and press **[P]**. The indicator will display 2E£, pressing **[P]** again will reveal the current display at 4mA. The flashing digit can be adjusted by pressing the **[▼]** or **[▲]** button, when the flashing digit is correct pressing **[P]** will transfer control to the next digit. When all the digits have been adjusted, press **[E]** to return to the 2E£ prompt.

To adjust the display at 20mA, press the **[▲]** button which will cause the indicator to display 5P£, pressing **[P]** will then reveal the indicator's existing display at 20mA. The flashing digit can be adjusted by pressing the **[▼]** or **[▲]** button, when the flashing digit is correct pressing **[P]** will transfer control to the next digit. When all the digits have been adjusted press **[E]** to return to the 5P£ prompt followed by **[E]** to return to the 5E£ prompt in the configuration menu.

5.7 Bargraph format and calibration: b££

Only the BA524G and BA524G-SS have a bargraph.

In addition to a five digit numerical display the BA524G has a 31 segment analogue bargraph which may be configured to start and finish anywhere within the indicator's numerical display range.

To configure the bargraph select b££ from the configuration menu and press **[P]**. The indicator will display £££££, pressing **[P]** again will reveal the existing bargraph justification which can be changed to one of the following four or five options using the **[▼]** or **[▲]** button:

Bargraph justification starts from

LE££	Left end of display
£E£££	Centre of display
£££££	Right end of display
£££££P	Only with alarms - see section 8.3
£££££FF	Bargraph disabled

When set as required press **[E]** to return to the £££££ sub-function prompt.

The indicator's digital display at which the bargraph starts is defined by the b££££ sub-function which is selected by pressing the **[▲]** button followed by the **[P]** button which will reveal the current indicator display at which the bargraph starts. The flashing digit can be adjusted by pressing the **[▼]** or **[▲]** button, when set as required pressing **[P]** will transfer control to the next digit. When all the digits have been adjusted, press **[E]** to return to the b££££ prompt from which b£££££, which defines the finishing point of the bargraph can be selected by pressing the **[▲]** button. b£££££ is adjusted in the same way as b£££££. When set as required, pressing **[E]** twice will return the display to the b££££ prompt in the configuration menu.

Note: b£££££ must be set lower than b£££££, incorrect setting is indicated by the bargraph scale flashing with a single bargraph segment activated.

5.8 Function of the [P] push button: £--P

When the indicator is in the display mode, operating the **[P]** push button will display the input current in milliamps, or the displayed value as a percentage of the difference between the displayed values at 4mA and 20mA inputs.

To check or change the function of the **[P]** push button select £--P from the configuration menu and press **[P]** to reveal the current setting. Pressing the **[▼]** or **[▲]** button will toggle the setting between 4-2£ the current display in milliamps and P£ the percentage display. When set as required press **[E]** to return to the £--P prompt in the configuration menu.

5.9 Tare function: £££££

The tare function is primarily intended for use with a weighing system. When the indicator is in the display mode and the tare function is activated, pressing the **[E]** button for more than three seconds will zero the indicator's digital display and activate the tare annunciator. On the BA524G the bargraph remains linked to the digital display when the tare function is activated. Subsequent operation of the **[E]** push button for less than 3 seconds will return the indicator to the gross display and deactivate the tare annunciator.

To check or change the tare function select £££££ from the configuration menu and press **[P]** to reveal the current setting. Pressing the **[▼]** or **[▲]** button will toggle the setting between £££££ and £££££. When set as required press **[E]** to return to the £££££ prompt in the configuration menu.

5.10 Security code: CodE

Access to the instrument configuration menu may be protected by a four digit security code which must be entered to gain access. New instruments are configured with the default security code 0000 which allows unrestricted access to all configuration functions.

To enter a new security code select CodE from the configuration menu and press P which will cause the indicator to display the existing security code with one digit flashing. The flashing digit can be adjusted using the \blacktriangledown or \blacktriangle push buttons, when set as required operating the P button will transfer control to the next digit. When all the digits have been adjusted press E to return to the CodE prompt in the configuration menu. The revised security code will be activated when the indicator is returned to the display mode. Please contact BEKA associates sales department if the security code is lost.

5.11 Reset to factory defaults: $r5Et$

This function enables the indicator and the lineariser to be quickly returned to the factory default configurations shown in sections 5.0 and 6.4

To reset the indicator or lineariser select $r5Et$ from the configuration menu and press P , the indicator will display one of the reset options ConF or LkRb .

ConF Resets the indicator to defaults
 LkRb Resets the lineariser to defaults

Using the \blacktriangledown or \blacktriangle push button select the required sub-function and press P . To prevent accidental resetting the request must be confirmed by entering 5urE. Using the \blacktriangle button set the first flashing digit to 5 and press P to transfer control to the second digit which should be set to u. When 5urE has been entered pressing the E button will reset the selected configuration menus to the default settings and return the indicator to the display mode.

5.12 Under and over-range

If the numerical display range of the indicator is exceeded, all the decimal points will flash as shown below:

	BA504G	BA524G
	BA504G-SS	BA524G-SS
Underrange	-9.9.9.9	-9.9.9.9.9
Overrange	9.9.9.9	9.9.9.9.9

Although not guaranteed, most indicators will continue to function normally with an input current between 1.8mA and 4mA, at lower currents the instrument will display LPLo before it stops functioning.

Under or overrange of the BA524G and the BA524G-SS bargraph is indicated by a flashing arrow at the appropriate end of the bargraph.

6. LINEARISER

A sixteen segment, seventeen break-point (0 to 16) lineariser may be selected in the F_{LIN} section of the configuration menu. The position of each break-point is fully adjustable so that the slope of the straight line between break-points can be set to compensate for input non-linearity, thus allowing the indicator to display a non-linear process variables in linear engineering units. Each break-point must occur at a current greater than the preceding break-point and less than the following break-point, in the range 3.8 to 21.0mA. If this requirement is not observed when configuring the lineariser the indicator will display FR, L and the configuration adjustment which produced the error message will be ignored. Fig 8 shows a typical linearised indicator characteristic.

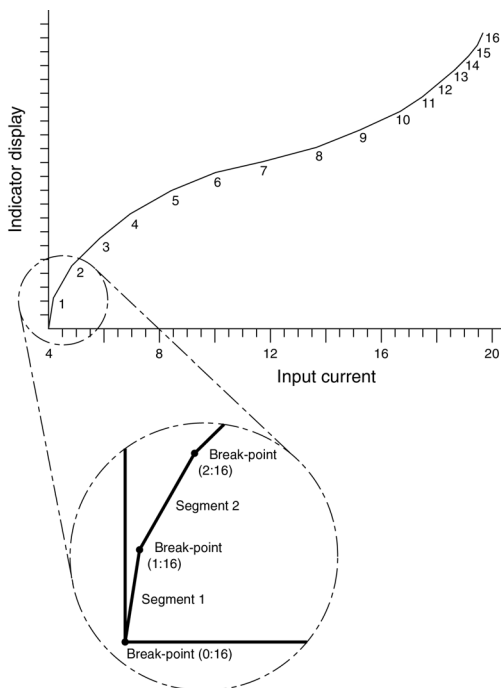


Fig 8 shows a typical linearising characteristic

Selecting L_{IN} in the F_{LIN} section of the configuration menu activates the lineariser, this does not change the configuration menu shown in Fig 7, but the ϵRL and $SE\epsilon$ functions are extended as shown in Fig 9. As with a linear indicator, calibration of the lineariser may be performed with an external current source using the ϵRL function, or with the internal reference using the $SE\epsilon$ function.

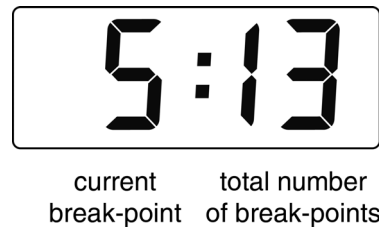
The lineariser calibration is retained irrespective of how the indicator function F_{LIN} is subsequently changed. It is therefore possible to select and deselect the lineariser without having to reconfigure it each time.

The lineariser calibration may be reset to the factory default settings without changing the indicator configure using the $LE\epsilon b$ function described in section 5.11.

6.1 Lineariser calibration using an external current source.

This method allows direct calibration of the lineariser with an external current source and is the preferred method when traceability is required. If the exact system non-linearity is unknown, this method also allows direct calibration from the variable to be displayed. e.g. the output from a level sensor in an irregular tank may be displayed in linear volumetric units by filling the tank with known incremental volumes and calibrating the indicator to display the sum of the increments at each break-point.

The number of break-points required should first be entered using the Rdd and dEL functions. In both these sub-functions the indicator initially displays the current break-point and the total number of break-points being used as shown below.



Display Summary of function

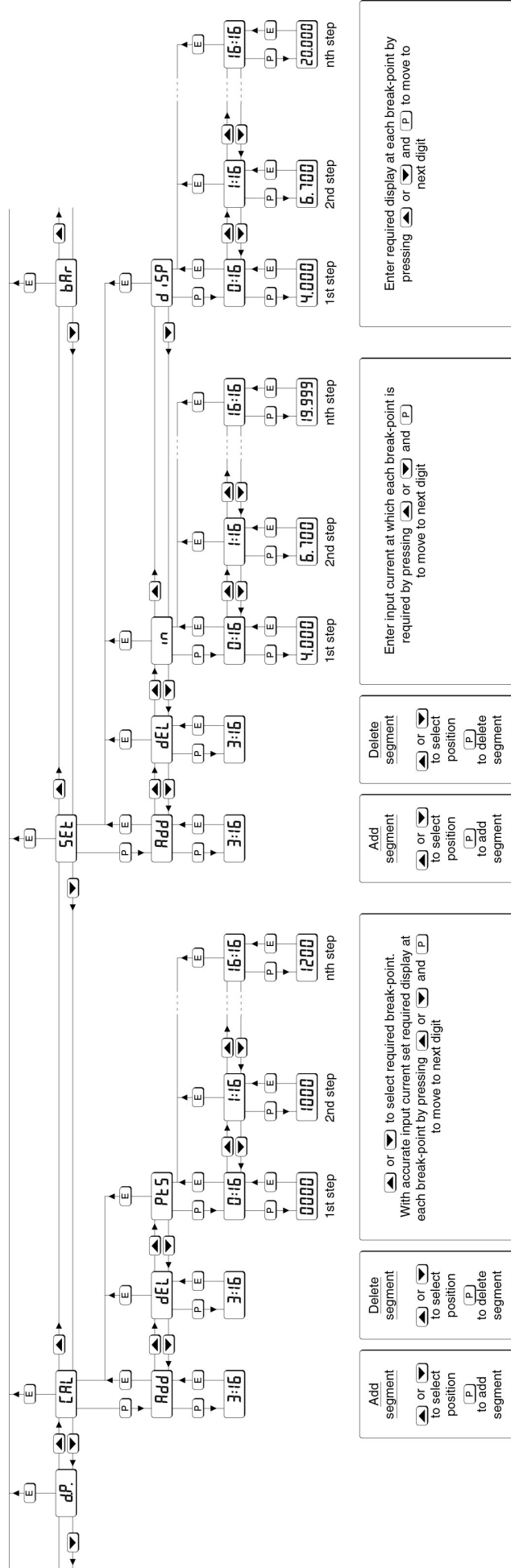
Rdd Add a break-point

Adds a new break-point before the displayed break-point. The calibration of existing break-points is not changed, but the identification number of all subsequent break-points is increased by one.

dEL Remove a break-point

Removes the displayed break-point and joins the preceding break-point to the following break-point with a straight line. The identification number of all subsequent break-points is decreased by one.

To add a break-point use the ∇ or \blacktriangle button to select ϵRL from the configuration menu and press P which will result in the Rdd sub-function prompt being displayed. To enter the sub-function press P which will reveal the current break-point and the total number of break-points which have already been entered. When adding a break-point the insertion position can be selected using the ∇ and \blacktriangle push buttons followed by P push button to insert the additional break-point. In previously uncalibrated linearisers each new break-point should be added in front of the highest existing break-point, if this sequence is not followed a FR, L message will occur in the $P\epsilon 5$ function. See example in section 6.1.1.



Calibration using external current source

Calibration using internal reference without the need for an external current source

Each break-point must occur at an input current greater than the preceding break-point and less than the following break-point, in the range 3.8 to 21.0 mA

Fig 9 Extension of CAL and SET functions for lineariser configuration

The delete break-point sub-function dEL operates in exactly the same way as the Rdd sub-function described above. Once within the dEL sub-function each time the P button is pressed a break-point is removed. When deleting a break-point from a calibrated indicator, the break-point to be deleted can be selected using the \blacktriangledown and \blacktriangle push buttons. The minimum number of break-points is 2, break-points $0:1$ and $1:1$.

When the required number of linearising break-points has been entered, return to the linearisation sub-menu by pressing E . The indicator will display the Rdd or dEL prompt depending upon the last function used. Using the $Pt5$ sub-function the input current at which each break-point occurs and the corresponding indicator display may now be defined.

Using the \blacktriangledown or \blacktriangle button select the $Pt5$ function in the sub-menu and press P to enter the function which will display the first break-point $0:n$, where n is the total number of linearising break-points entered - see Fig 9. The selected linearising break-point can be changed using the \blacktriangledown and \blacktriangle buttons. When the required linearising break-point has been selected set the indicator input current to the exact value at which the break-point is required and press P *. Using the \blacktriangledown or \blacktriangle button and the P button to move between digits, enter the required indicator display at this break-point. When set as required, press the E push button to enter the required indicator display and return to the sub-menu from which the next break-point can be selected.

When all the break-points have been calibrated pressing E twice will return the indicator to the 'CAL' function in the configuration menu.

Note: * The indicator input current must be adjusted to the required value before the P button is operated to enter the required indicator display.

Error message

If during calibration the indicator displays a FR.L error message the current at which the selected break-point is being set is not above the preceding break-point or is not below the following break-point.

6.1.1 Example

Adding break-points to a new indicator.

When adding break-points to a new indicator, or to a lineariser following resetting to the factory defaults using the $LtRb$ function described in section 5.11, each additional break-point should be added before the highest existing breakpoint. The first additional break-point should be added before the default break-point $1:1$ which will result in a display of $1:2$. If more new break-points are

required, using the \blacktriangle button select the new highest break-point $2:2$ and add the second additional break-point by operating the P push button which will result in a display of $2:3$. Repeat the sequence until the required number of break-points has been entered.

The input current and at which each break-point occurs and the corresponding indicator display may now be entered as described above.

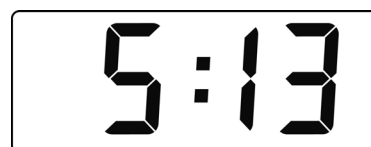
6.2 Lineariser calibration using the internal reference.

The SEt function enables the lineariser to be calibrated without the need for an accurate external current source. Throughout the calibration the indicator input current may be any value between 4 and 20mA.

The SEt functions contains four sub-functions.

Display	Summary of function
Rdd	Add a break-point Adds a new break-point before the displayed break-point. The calibration of existing break-points is not changed, but the identification number of all subsequent break-point is increased by one.
dEL	Remove a break-point Removes the displayed break-point and joins the preceding segment to the following segment with a straight line. The identification number of all subsequent break-points is decreased by one.
$1:n$	Defines the current at which break-point occurs. Enables the required current at each break-point to be defined without having to input an accurate input current to the indicator.
$d, 5P$	Defines indicator display at break-point. Enables the indicator display at each break-point to be defined.

The number of break-points required should first be entered using the Rdd and dEL sub-functions. In both these sub-functions the indicator initially displays the current break-point and the total number of break-points being used as shown below.



current total number
break-point of break-points

To add a break-point using the \blacktriangledown or \blacktriangle button select 5E1 from the configuration menu and press P which will result in the Rdd sub-function prompt being displayed. To enter the sub-function press P which will reveal the current break-point and the total number of break-points which have already been entered. When adding a break-point the insertion position can be selected using the \blacktriangledown or \blacktriangle push button followed by P push button to insert the additional break-point. In previously uncalibrated linearisers each new break-point should be added in front of the highest existing break-point, if this sequence is not followed a FR, L message will occur when the break-points are calibrated. See example in section 6.2.1.

The delete break-point, sub-function dEL operates in exactly the same way as the Rdd sub-function described above. Once within the dEL function each time the P button is pressed a break-point is removed. When deleting a break-point from a calibrated indicator, the break-point to be deleted can be selected using the \blacktriangledown or \blacktriangle push button. The minimum number of break-points is 2, break-points 0:1 and 1:1.

When the required number of linearising break-points has been entered, return to the linearisation sub-menu by pressing E . The indicator will display the Rdd or dEL prompt depending upon the last sub-function used. The indicator input current and corresponding indicator display at each break-point, which is the segment finishing point as shown in Fig 9, can now be entered using the I , n and d , 5P sub-functions.

Using the \blacktriangledown or \blacktriangle button select I , n from the sub-menu and press P which will reveal the starting point for the first segment 0:n, where n is the total number of break-points entered. Press P and use the \blacktriangledown or \blacktriangle button and the P button to move between digits, to enter the input current in milliamps at which the first break-point is required, usually 4.000mA. When set as required, press E to return to the 0:n prompt from which the next break-point can be selected using the \blacktriangledown or \blacktriangle button. When the required break-point has been selected press P and enter the indicator input current at which this break-point is required using the \blacktriangledown or \blacktriangle button and the P button to move between digits. Repeat this procedure until the indicator input current at all the break-points has been defined and then return to the I , n sub-function by pressing the E button.

The corresponding indicator display at each of the break-points can now be defined using the d , 5P sub-function. Using the \blacktriangledown or \blacktriangle button select the d , 5P sub-function and press P which will reveal the starting point for the first break-point 0:n, where n is the total number of break-points entered.

Press P and use the \blacktriangledown or \blacktriangle button and the P button to move between digits, to enter the required indicator display at the first break-point. When set as required, press E to return to the 0:n prompt from which the next break-point can be selected using the \blacktriangledown or \blacktriangle button. When the required break-point has been selected press P and set the required indicator display at this break-point.

Repeat this procedure until the indicator display at all the break-points has been defined and then return to the 5E1 function in the configuration menu by pressing the E button twice.

Error message

If during calibration the indicator displays a FR, L error message the current at which the selected break-point is being set is not above the preceding break-point or is not below the following break-point.

6.2.1 Example

Adding break-points to a new indicator.

When adding break-points to a new indicator, or to a lineariser following resetting to the factory defaults using the LERb function described in section 5.11, each additional break-point should be added before the highest existing breakpoint. The first additional break-point should be added before the default break-point 1:1 which will result in a display of 1:2. If more new break-points are required, using the \blacktriangle button select the new highest break-point 2:2 and add the second additional break-point by operating the P push button which will result in a display of 2:3. Repeat the sequence until the required number of break-points has been entered.

6.3 Under and over-range

The lineariser does not change the under and over-range indication described in section 5.12. At input currents below that specified for the first break-point 0:n, the indicator will continue to use the specified slope of the first segment.

At input currents above that specified for the last break-point n:n, the indicator will continue to use the slope specified for the last lineariser segment.

6.4 Lineariser default configuration

When the lineariser is reset to the factory defaults using the LERb function described in section 5.11, the default conditions are:

	Indicator display			
	BA504G	BA524G	BA504G-SS	BA524G-SS
First break-point	0:1	4mA	0.0	0.00
Second break-point	1:1	20mA	100.0	100.00

7. MAINTENANCE

7.1 Fault finding during commissioning

If an indicator fails to function during commissioning the following procedure should be followed:

Symptom	Cause	Solution
No display	Incorrect wiring	Check wiring There should be 0.6 to 1.2V between terminals 1 & 3 with terminal 1 positive. With an optional backlight loop powered, there should be 3.4 to 5V between terminals 3 & 12 with terminal 12 positive.
No display 0V between terminals 1 & 3.	Incorrect wiring or no power supply	Check supply voltage and voltage drop caused by all the instruments in the loop.
All decimal points flashing.	Overrange or underrange if -ve sign is displayed.	Recalibrate the numerical display.
Unstable display	4/20mA input is noisy.	Eliminate ripple on 4/20mA power supply and/or decrease indicator resolution.
Unable to enter configuration menu.	Incorrect security code entered.	Enter correct security code, or contact BEKA if the code has been lost.

7.2 Fault finding after commissioning

ENSURE PLANT SAFETY BEFORE STARTING MAINTENANCE

If an indicator fails after it has been functioning correctly, follow the procedure shown in section 7.1. If this does not reveal the cause of the fault, it is recommended that the instrument is replaced. This can be done without disconnecting power, but while the indicator is disconnected the 4/20mA loop will be open circuit.

7.3 Servicing

All BA504G, BA504G-SS, BA524G and BA524G-SS loop powered indicators are interchangeable if the required optional backlight and alarms are fitted. A single spare instrument may quickly be recalibrated to replace any instrument that is damaged or fails. No attempt should be made to repair instruments at component level.

We recommend that faulty instruments are returned to BEKA associates or to your local BEKA agent for repair.

7.4 Routine maintenance

The mechanical condition of the instrument and electrical calibration should be regularly checked. The interval between inspections depends upon environmental conditions.

7.5 Guarantee

Indicators which fail within the guarantee period should be returned to BEKA associates or our local agent. It is helpful if a brief description of the fault symptoms is provided.

7.6 Customer comments

BEKA associates is always pleased to receive comments from customers about our products and services. All communications are acknowledged and whenever possible, suggestions are implemented.

8. ACCESSORIES

8.1 Units of measurement & instrument identification.

New indicators are supplied with a printed scale card showing the units of measurement and tag information specified when the instrument was ordered. If this information was not supplied a blank scale card will be supplied which can easily be marked with a dry transfer or a permanent marker.

Custom printed scale cards are available as accessories and may be easily fitted as shown in section 4.6 of this manual.

All models can also be supplied with a blank or custom laser engraved stainless steel legend plate - see Fig 5a and 5b . The plate, which after installation is visible from the front of the instrument, is supplied loose with two fixing screws for securing it to the rear of the instrument's back-box. This plate can typically accommodate:

- 1 row of 5 alphanumeric characters 10mm high
- or 1 row of 6 alphanumeric characters 7mm high
- or 2 rows of 10 alphanumeric characters 5mm high

8.2 Display backlight

All models can be supplied with a factory fitted backlight that may be loop or separately powered.

When loop powered the backlight produces green background illumination enabling the display to be read at night or in poor lighting conditions. No additional power supply or field wiring are required, but the indicator voltage drop is increased. When separately powered the backlight is brighter, but additional field wiring is required.

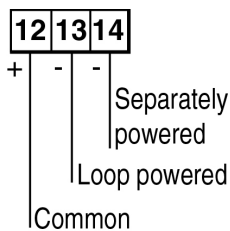


Fig 10 Terminals for optional backlight

8.2.1 Loop powering the backlight

The backlight is loop powered by connecting it in series with the indicator's 4/20mA input as shown in Fig 11, which increases the maximum indicator voltage drop from 1.2 to 5V.

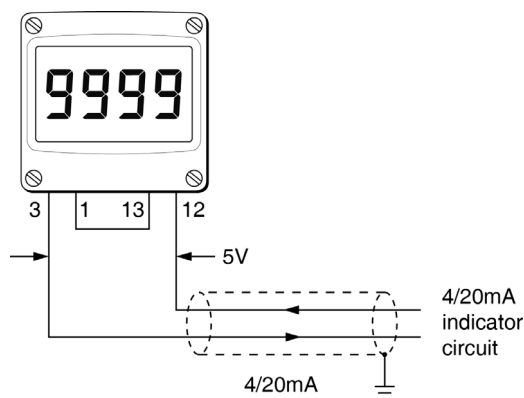


Fig 11 Backlight loop powered

Providing the increased voltage drop can be tolerated the system design described in section 3 of this manual remain valid with the backlight loop powered.

8.2.2 Separately powering the backlight

The optional backlight may also be powered from a separate power supply as shown in Fig 12.

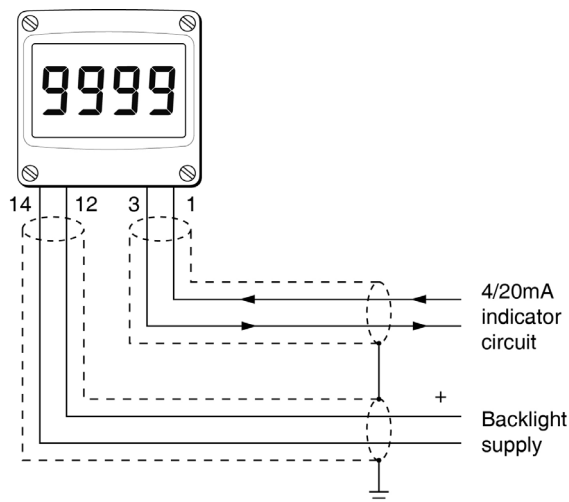


Fig 12 Backlight separately powered

When separately powered the backlight draws a constant current providing the supply is equal to or greater than the minimum specified voltage. Below this supply voltage the backlight continues to function but with reduced brilliance.

	Current	Minimum voltage
All models	34.7mA	11V

8.3 Alarms

CAUTION

These alarm outputs should not be used for critical safety applications such as an emergency shut down system.

All models can be supplied with factory fitted dual solid state, single pole alarm outputs. Each alarm output may be independently configured as a high or low alarm with a normally open or normally closed output in the non-alarm condition.

When the 4/20mA current powering the indicator is removed both alarm outputs will open irrespective of configuration. The open circuit condition should therefore be chosen as the alarm condition when designing an alarm system. Fig 13 illustrates the conditions available and shows which are fail safe.

When an alarm occurs an alarm annunciator on the indicator front panel is activated and if required the numerical display can alternate between the measured value and the alarm channel identification R_{Lr1} or R_{Lr2} .

CAUTION

The alarms are activated by the indicator's numerical display. Use of the Tare Function E_{RrE} will change the numerical display, the alarms will continue to function at the original displayed value, but this will correspond to a different input current.

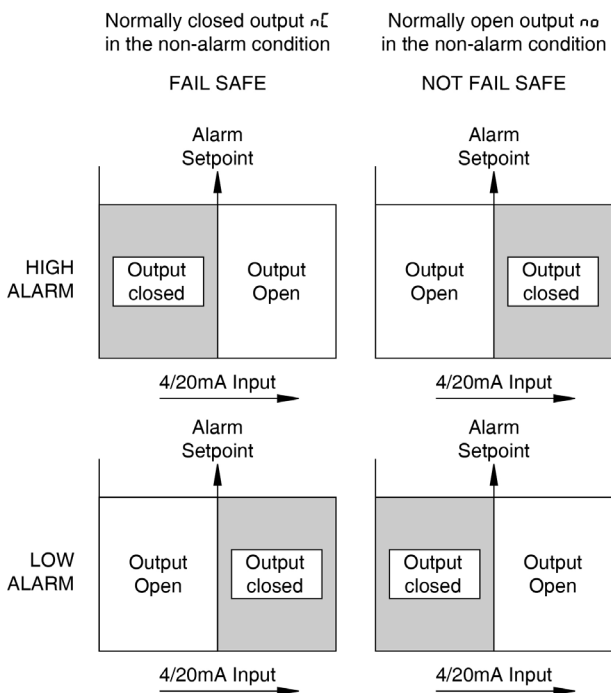


Fig 13 Alarm outputs

Configurable functions for each alarm include adjustable setpoint, hysteresis, alarm delay and alarm accept.

8.3.1 Solid state output

Each alarm has a galvanically isolated single pole solid state switch output as shown in Fig 14. The output is polarised and current will only flow in one direction.

$$R_{on} = \text{less than } 5\Omega + 0.7V$$

$$R_{off} = \text{greater than } 1M\Omega$$

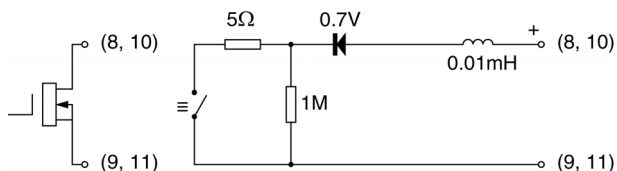


Fig 14 Equivalent circuit of each alarm output

The solid state output of each alarm may be used to switch any dc circuit with parameters equal to or less than:

$$V_{max} = 40V$$

$$I_{max} = 200mA$$

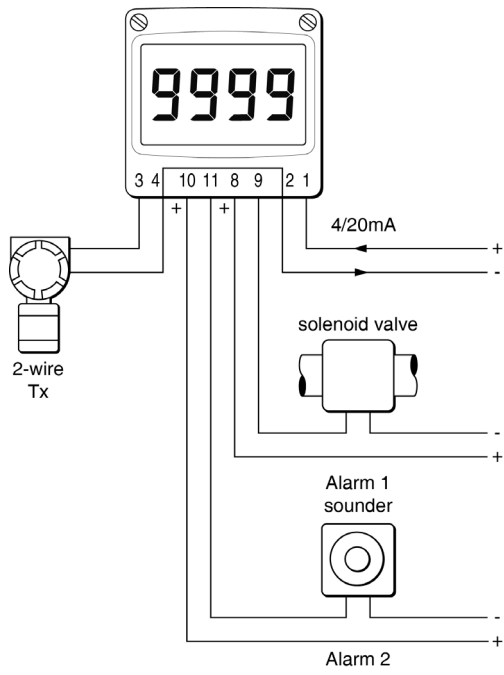


Fig 15 Typical alarm application
(Shown without recommended screened cables)

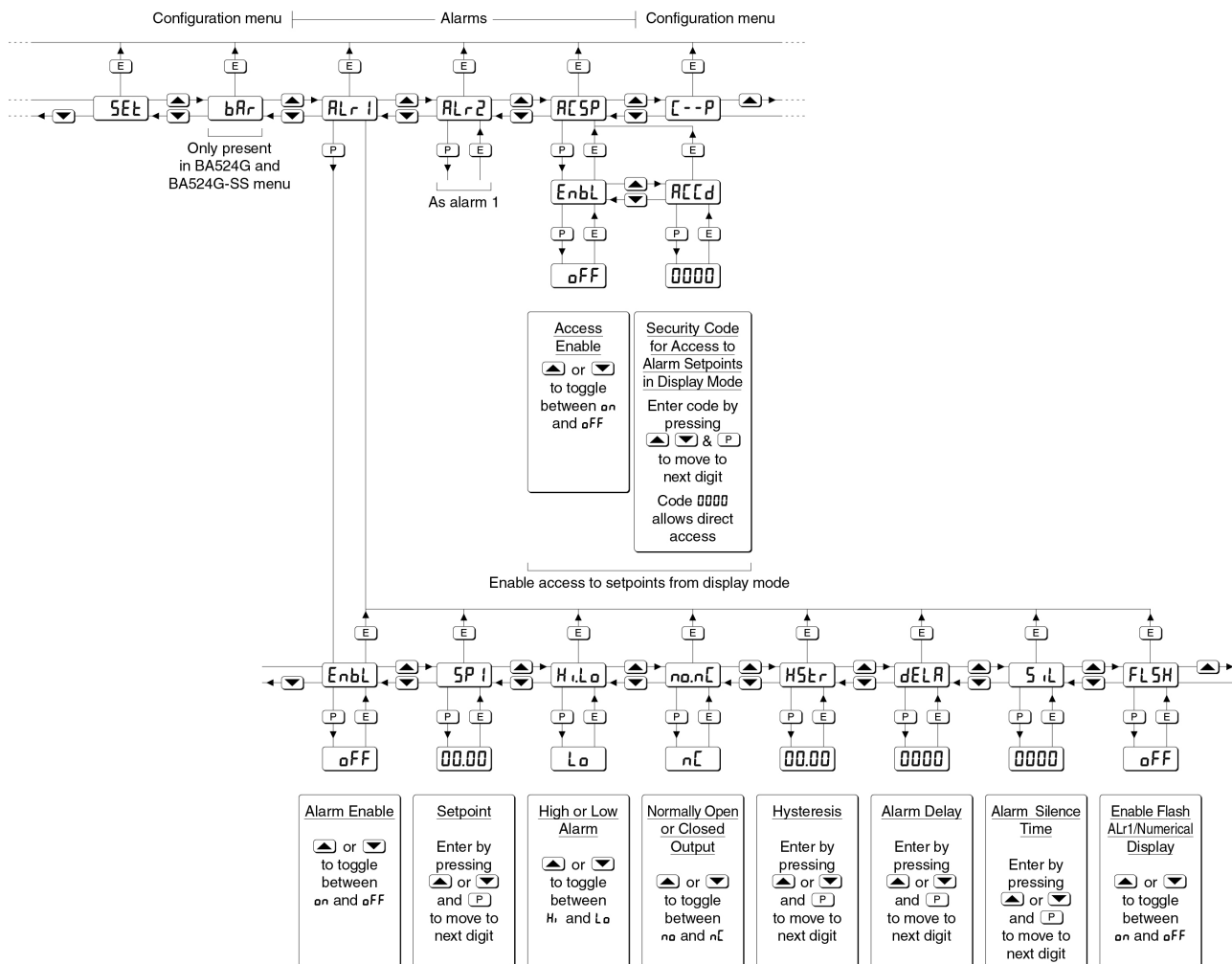


Fig 16 Alarm Configuration Functions in Configuration Menu

8.3.2 Configuration and adjustment

When optional alarms are fitted to a loop powered indicator the configuration menu is extended as shown in Fig 16. The additional functions appear between the SEt and the LRP functions for the BA504G and between bRr and LRP for the BA524G indicator. For simplicity, Fig 16 only shows the additional functions for alarm 1, but alarm 2 has identical functions.

The following table summarises each of the alarm configuration functions and includes a cross reference to more detailed information. Again only the functions on Alarm 1 are listed, but alarm 2 has identical facilities.

Summary of alarm configuration functions

Display	Summary of function
EnbL	Alarm enable Enables or disables the alarm without changing the alarm parameters. See section 8.3.3
SP 1	Alarm setpoint 1 Adjusts the alarm setpoint. The alarm is activated when the indicator display equals the setpoint. See section 8.3.4
H.Lo	Alarm function Defines the alarm function as High or Low. See section 8.3.5
no.nC	Normally open or normally closed output Sets the alarm output open or closed in the non-alarm condition. See section 8.3.6
HSEr	Hysteresis Adjusts the alarm hysteresis. See section 8.3.7
dELR	Alarm delay time Introduces adjustable delay between the display equalling the setpoint and the alarm output being activated. See section 8.3.8
S.L	Alarm silence time Defines the time that the alarm output remains in the non-alarm condition following acceptance of an alarm. See section 8.3.9
FLSH	Flash display when alarm occurs When enabled, alternates the numerical display between process value and alarm reference, $RLr1$ or $RLr2$, when an alarm output is activated. See section 8.3.10
RCSP	Access setpoint Sub-menu which enables direct access to the alarm setpoints from the indicator display mode, and defines a separate security code. See section 8.3.11

8.3.3 Alarm enable: $ENBL$

This function allows each alarm to be enabled or disabled without altering any of the alarm parameters. To enable or disable the alarm select $ENBL$ from the alarm menu and press P which will reveal the current setting ON or OFF . The function can be changed by pressing the \blacktriangledown or \blacktriangleleft button followed by the E button to return to the alarm menu.

8.3.4 Setpoint adjustment: $SP1$ and $SP2$

The setpoint of each alarm may be positioned anywhere in the numerical display of the indicator providing that this corresponds to an input current between 3.8 and 20.2mA. e.g. If the indicator has been calibrated to display 0 with 4mA input and 10000 with 20mA input, the two alarm setpoints may be positioned anywhere between -125 and 10125.

To adjust the setpoint select $SP1$ or $SP2$ from the alarm configuration menu and press P which will reveal the existing alarm setpoint. The flashing digit of the setpoint can be adjusted using the \blacktriangledown or \blacktriangleleft push button, and the P button to move control to the next digit. When the required setpoint has been entered press E to return to the alarm configuration menu.

The alarm setpoints may also be adjusted when the indicator is in the display mode, see section 8.3.11.

8.3.5 Alarm function: $HiLo$

Each alarm can be independently configured as a high alarm or as a low alarm. To check or change the alarm function select $HiLo$ from the alarm menu and press P to reveal the current setting. The function can be changed by pressing the \blacktriangledown or \blacktriangleleft button followed by the E button to return to the alarm menu.

8.3.6 Alarm output status: NO/NC

Configures the solid state alarm output to be open NO or to be closed NC in the non-alarm condition. When deciding which is required, care should be taken to ensure that the alarm output is fail safe as illustrated in Fig 13.

NO Alarm output open in non-alarm condition

NC Alarm output closed in non-alarm condition.

CAUTION

When the 4/20mA supply is removed from the loop powered indicator, both alarm outputs will open irrespective of conditioning. Therefore for fail safe operation both alarm outputs should be conditioned to be open in the alarm condition NC .

To check or change the alarm output status, select NO/NC from the alarm configuration menu and press P to reveal the setting. The function may be changed by pressing the \blacktriangledown or \blacktriangleleft button followed by the E button to return to the alarm configuration menu.

8.3.7 Hysteresis: $HSTr$

Hysteresis is shown in the units that the indicator has been calibrated to display.

To adjust the hysteresis select $HSTr$ from the alarm menu and press P which will reveal the existing figure. The flashing digit can be adjusted using the \blacktriangledown or \blacktriangleleft push-button, and the P button will move control to the next digit. When the required hysteresis has been entered press E to return to the alarm configuration menu.

e.g. An indicator calibrated to display 0 to 10000, with a high alarm set at 9000 and hysteresis of 200 will perform as follows:

The high alarm will be activated when increasing indicator display equals 9000, but will not reset until the indicator display falls below 8800.

8.3.8 Alarm delay time: $dELR$

This function delays activation of the alarm output for an adjustable time following the alarm condition occurring. The delay can be set in 1 second increments between 0 and 3600 seconds. If a delay is not required zero should be entered. To adjust the delay select $dELR$ from the alarm configuration menu and press P which will reveal the existing delay. The flashing digit of the delay can be adjusted using the \blacktriangledown or \blacktriangleleft push button, and the P button to move control to the other digits. When the required delay has been entered press E to return to the alarm menu.

e.g. An indicator with a high alarm set at 9000 and an alarm delay of 30 seconds will perform as follows:

The alarm annunciator will start to flash when an increasing indicator display equals 9000, but the alarm output will not be activated until the alarm condition has existed continuously for 30 seconds. When the alarm output is activated, the alarm annunciator will stop flashing and be permanently activated.

If the $FLSH$ function, which flashes the indicator display when an alarm occurs, has been enabled, it will not start to function until the alarm output is activated. See section 8.3.10

8.3.9 Alarm silence time: 5, L

This function is primarily intended for use in small installations where the alarm output directly operates an alarm annunciator such as a sounder or beacon. When the alarm silence time, which is adjustable between 0 and 3600 seconds in 1 second increments, is set to any figure other than zero, the **[P]** push button becomes an alarm accept button. After an alarm has occurred, operating the **[P]** button will cause the alarm output to revert to the non-alarm condition for the programmed alarm silence time. If the alarm condition still exists at the end of the silence time, the alarm output will be reactivated. During the silence time the indicator alarm annunciator will flash until the silence time expires or the alarm is cleared.

If the *FLASH* function, which flashes the indicator display when an alarm occurs has been enabled, it will only function when the alarm output is activated, not during the silence time. See section 8.3.10

To adjust the alarm silence time select 5, L from the alarm configuration menu and press **[P]** which will reveal the existing silence time. The flashing digit of the silence time can be adjusted using the **[↓]** or **[↑]** push button, and the **[P]** button to move control to the other digits. When the required silence time has been entered press **[E]** to return to the alarm menu.

8.3.10 Flash display when alarm occurs: FLASH

In addition to the two alarm annunciators on the top left hand corner of the indicator display which show the status of both alarms, this function provides an even more conspicuous indication that an alarm condition has occurred.

When enabled, the function alternates the indicator display between the numerical value and the alarm reference, *RL1* or *RL2*, when the alarm output is activated. If both alarm outputs are activated, the alarm references are displayed in sequence.

To enable or disable the function select *FLASH* from the alarm menu and press **[P]** which will reveal the current setting *on* or *off*. This setting can be changed by pressing the **[↓]** or **[↑]** button followed by the **[E]** button to return to the alarm menu.

8.3.11 Access setpoint in display mode: R5P

This function enables a separate menu providing access to the alarm setpoints from the display mode by simultaneously operating the **[P]** and **[↑]** push buttons. An operator can therefore adjust the alarm setpoints without having access to the indicator configuration menu. Protection against accidental adjustment of the setpoints when the indicator is in the display mode is provided by a separate security code.

This direct setpoint access menu is enabled and the separate security code entered from the *R5P* function in the alarm configuration menu as shown in Fig 16. To change the menu parameters select *R5P* from the configuration menu and press **[P]** which will display the enable prompt *ENBL*. Press **[P]** again to reveal if the direct access menu is *on* or *off*. The **[↓]** or **[↑]** button will toggle the display between the two conditions.

If *off* is selected, the operator will not have access to the setpoints from the display mode. Return to the *R5P* prompt in the main menu by pressing **[E]** twice.

If *on* is selected, the operator will have direct access to the alarm setpoints from the display mode via a separate optional security code. To define this four digit security code press **[P]** to return to the *ENBL* prompt followed by the **[↓]** or **[↑]** button to select the access code prompt *RCD*. Pressing **[P]** will reveal the current security code. Each digit of the code may be changed by operating the **[↓]** and **[↑]** push buttons, and the **[P]** button to move control to the next digit. When the required code has been entered, press **[E]** twice to return to the *R5P* prompt in the configuration menu.

Default code 0000 will disable the security code allowing direct access to the setpoints in the display mode by pressing the **[P]** and **[↑]** buttons simultaneously. Unless otherwise requested new instruments with alarms are supplied with this function disabled and the security code set to 0000.

8.3.12 Adjusting alarm setpoints from the display mode.

Access to the alarm setpoints from the indicator display mode is obtained by operating the **[P]** and **[↑]** push buttons simultaneously as shown in Fig 17. If the setpoints are not protected by a security code the alarm setpoint prompt *SP1* will be displayed. If the setpoints are protected by a security code, *Code* will be displayed first. Pressing **[P]** again will allow the alarm security code to be entered digit by digit using the **[↓]** or **[↑]** button to change the flashing digit, and the **[P]** push button to move control to the next digit. If the correct code is entered pressing **[E]** will cause alarm setpoint prompt *SP1* to be displayed. Pressing the **[↓]** or **[↑]** button will toggle the display between the two alarm setpoint prompts *SP1* and *SP2*.

If an incorrect security code is entered, or a button is not pressed within twenty seconds, the indicator will automatically return to the display mode.

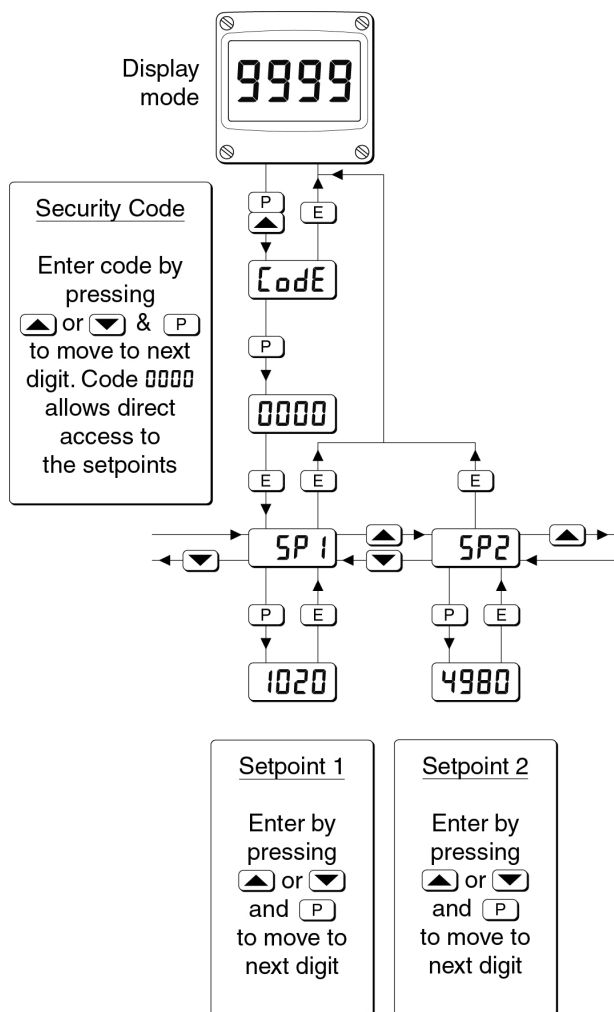


Fig 17 Setpoint adjustment from the display mode

To adjust an alarm setpoint select $SP1$ or $SP2$ and press **P** which will reveal the current setting. Each digit of the setpoint may be adjusted using the \blacktriangledown or \blacktriangle push button, and the **P** button to move control to the next digit. When the required setpoint has been entered, pressing **E** will return the display to the $SP1$ or $SP2$ prompt from which the other setpoint may be selected, or the indicator may be returned to the display mode by pressing **E** again.

Note: With the indicator in the display mode, direct access to the alarm setpoints is only available when the $RLSP$ menu is enabled - see section 8.3.11

8.3.13 Displaying setpoints on BA524G or BA524G-SS bargraph.

One of the selectable bargraph formats $RLSP$ allows a low or a high setpoint plus the displayed value to be represented, or a low and a high setpoint plus the displayed value to be represented by the bargraph as shown in Fig 18.

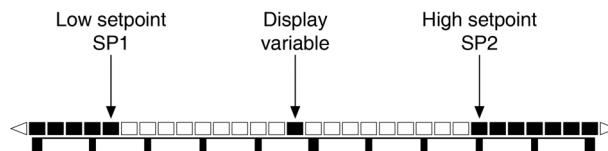


Fig 18 Displayed value and setpoints on bargraph

The bargraph area below the low alarm setpoint and the area above the high alarm setpoint are activated. The displayed variable is represented by an activated bar which moves between these low and high alarm setpoints.

When the activated bar representing the displayed variable is adjacent to the area representing the low or high alarm setpoints, the bar flashes. When a displayed variable equals the low or high alarm the complete bargraph representing the activated alarm flashes irrespective of whether the alarm output has been delayed or cleared.

For this function to operate $SP1$ must be conditioned as a low alarm and $SP2$ as a high alarm; $SP1$ must always be less than $SP2$. Incorrect configuration is shown by a flashing bargraph scale with no activated bars.

8.4 Pipe mounting kits

Two alternative stainless steel pipe mounting kits are available for securing an indicator to a horizontal or vertical pipe.

The BA392G is a light duty pipe mounting kit employing two hose clip which is adequate for many applications.

The BA393G is a heavy duty 316 stainless steel kit which will secure any of the indicators to a horizontal or vertical pipe with an outside diameter between 40 and 73mm.

Detailed assembly instructions are supplied with each pipe mounting kit.

8.5 Panel mounting kits

Three panel mounting kits are available for securing field mounting indicators in a panel aperture. Detailed assembly instructions are supplied with each panel mounting kit.

8.5.1 BA394G

The BA394G kit, which consists of two 316 stainless steel brackets, will secure any one of the four models into a panel aperture. The kit does not seal the joint between the panel and the instrument and is intended for mounting an indicator onto an open panel.

8.5.2 BA494G

The BA494G panel mounting kit is manufactured from the same carbon loaded GRP material as the GRP indicator enclosure. It provides an IP66 seal between the instrument panel and the indicator and is therefore suitable for mounting a BA504G or a BA524G in a sealed panel enclosure.

8.5.3 BA494G-SS

The BA494G-SS panel mounting kit is a gasket assembly which enables a BA504G-SS or a BA524G-SS stainless steel indicator to be mounted into a panel aperture. The kit provides an IP66 seal between the indicator and the instrument panel, it is therefore suitable for mounting a stainless steel indicator in a sealed panel enclosure.

8.6 Back-box terminal assembly

This factory fitted option is only available for BA504G and BA524G indicators which have a GRP enclosure.

If it is necessary to terminate the field wiring prior to the installation of the indicator display, a back-box terminal assembly is available as a factory fitted option. This accessory includes terminals for the field wiring and diodes which maintain the continuity of the 4/20mA loop when the indicator display is unplugged.

When the indicator display is unplugged from the back-box, the voltage drop introduced into the 4/20mA loop by the instrument increases to 5V. If an optional backlight is fitted and connected for loop powering, the voltage drop increases to 11.5V when the indicator display is unplugged. This voltage drop can be reduced to 7.5V by connecting a 7.5V Zener diode with a minimum rating of 1.3W at 25°C (BZX85 or 1N5343) between terminals 3 (diode cathode) and 12.(diode anode).

The optional terminal assembly also includes additional terminals which may be used for linking cable screens and two terminals connected to the carbon loaded GRP enclosure. If the enclosure is not fixed to an earthed structure, one of these terminals or the earth terminal on the bonding plate should be connected to the plant's potential equalising conductor.

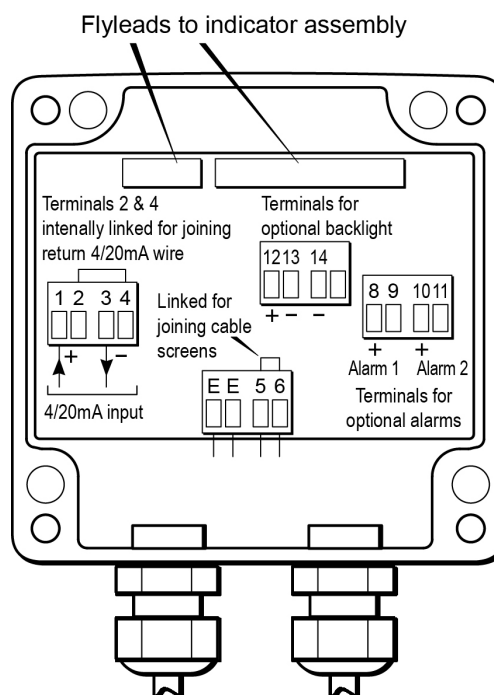


Fig 19 Optional back-box terminal assembly