

Data Sheet

Magnetrol Ametek

# ECLIPSE® MODEL 700

Guided Wave Radar Level Transmitter



Supplied by

**247cable.com**

Call us on +44 (0)118 916 9420 | Email [info@247able.com](mailto:info@247able.com)

# Eclipse® Model 700 Guided Wave Radar Level Transmitter

## DESCRIPTION

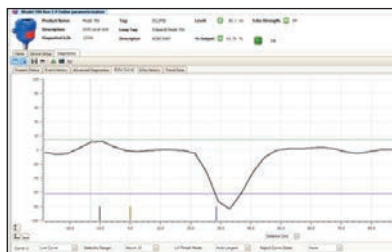
The Eclipse® Model 700 Transmitter is a loop-powered, 24 VDC level transmitter that is based upon the proven and accepted technology of Guided Wave Radar (GWR). Encompassing a number of significant engineering accomplishments, this leading edge level transmitter is designed to provide measurement performance well beyond that of many of the more traditional technologies.

This single transmitter can be used in a wide variety of applications ranging from very light hydrocarbons to water-based media.

One universal Model 700 transmitter is available with several different probe types and offers enhanced reliability as it is certified for use in critical SIL 2/3 hardware safety loops.

The ECLIPSE Model 700 supports both the FDT/DTM and Enhanced DD (EDDL) standards, which allow viewing of valuable configuration and diagnostic information such as the echo curve in tools such as PACTware™, AMS Device Manager, and various HART® Field Communicators.

**Measures Level, Interface,  
Volume and Flow**



**Eclipse® Model 700 DTM**

## APPLICATIONS

**MEDIA:** Liquids, solids, or slurries; hydrocarbons to water-based media (Dielectric Constant  $\epsilon_r = 1.2-100$ )

**VESSELS:** Most process or storage vessels up to rated probe temperature and pressure.

**CONDITIONS:** All level measurement and control applications including process conditions exhibiting visible vapors, foam, surface agitation, bubbling or boiling, high fill/empty rates, low level and varying dielectric media or specific gravity.

# FEATURES

- Multivariable, two-wire, 24 VDC loop-powered transmitter for level, interface, volume, or flow.
- Level measurement not affected by changing media characteristics.
- No need to move levels for calibration.
- Overflow Capable probes allow for “true level” measurement all the way up to the process seal, without the need for special algorithms.
- 4-button keypad and graphic LCD display allow for convenient viewing of configuration parameters and echo curve.
- Proactive diagnostics advise not only what is wrong, but also offer troubleshooting tips.
- Nine common tank shapes for volumetric output.
- 30-point custom strapping table for uncommonly-shaped tanks.
- Two standard flumes and four standard weirs of various sizes for flow measurement.
- Generic flow equation for non-standard channels.
- Probe designs up to +200 °C/431 bar (+400 °F/6250 psi).
- Cryogenic applications down to -196 °C (-320 °F).
- SIL certification allows use in SIL 2/3 Loops
- No moving parts.

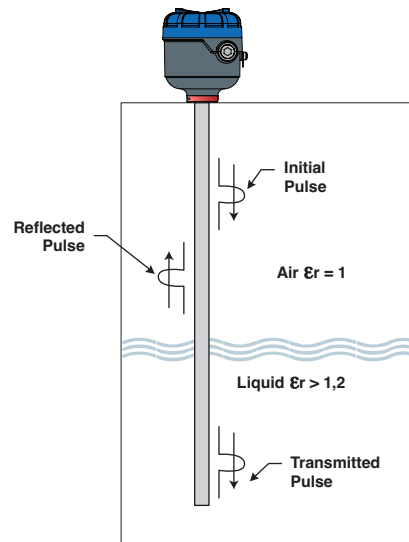
# TECHNOLOGY

## PRINCIPLE OF OPERATION

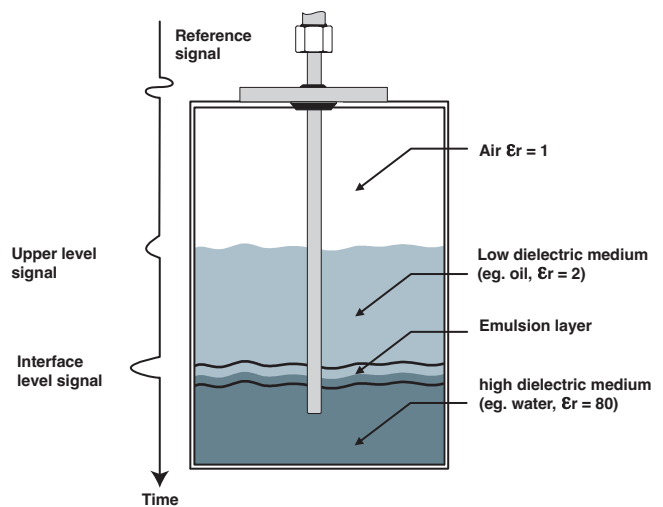
ECLIPSE Guided Wave Radar is based upon the technology of TDR (Time Domain Reflectometry). TDR utilizes pulses of electromagnetic energy transmitted down a wave guide (probe). When a pulse reaches a surface that has a higher dielectric constant than the air ( $\epsilon_r = 1$ ) in which it is traveling, a portion of the pulse is reflected. The transit time of the pulse is then measured via high speed timing circuitry that provides an accurate measure of the liquid (or solids) level. The amplitude of the reflection depends on the dielectric constant of the product. The higher the dielectric constant, the larger is the reflection.

## INTERFACE MEASUREMENT

The ECLIPSE Model 700 is capable of measuring both an upper liquid level and an interface liquid level. As only a portion of the pulse is reflected from a low dielectric upper surface, some of the transmitted energy continues down the GWR probe through the upper liquid. The remaining initial pulse is again reflected when it reaches the higher dielectric lower liquid. It is required that the upper liquid has a dielectric constant less than 10, and the lower liquid has a dielectric constant greater than 15. A typical interface application would be oil over water, with the upper layer of oil being non-conductive ( $\epsilon_r \approx 2.0$ ), and the lower layer of water being very conductive ( $\epsilon_r \approx 80$ ). The thickness of the upper layer could be as small as 50 mm (2") while the maximum upper layer is limited to the length of the GWR probe.



Overall Liquid Level



Interface Level

# SPECIAL APPLICATIONS

---

## EMULSION LAYERS

As emulsion layers, also called “rag layers,” can decrease the strength of the reflected signal in an interface application, GWR transmitters are typically recommended for applications that have clean, distinct layers.

However, the ECLIPSE Model 700, with its powerful internal measurement algorithms, will tend to detect the top of an emulsion layer.

Contact the factory for application assistance regarding emulsion layers in your specific application.

## OVERFILL CAPABILITY

Although agencies like WHG or VLAREM certify **Overfill proof** protection, defined as the tested, reliable operation when the transmitter is used as overfill alarm, it is assumed in their analysis that the installation is designed in such a way that the vessel or side mounted cage cannot physically overflow.

However, there are practical applications where a GWR probe can be completely flooded with level all the way up to the process connection (face of the flange). Although

the affected areas are application dependent, typical GWR probes have a transition zone (or possibly dead zone) at the top of the probe where interacting signals can either affect the linearity of the measurement or, more dramatically, result in a complete loss of signal.

While some manufacturers of GWR transmitters may use special algorithms to “infer” level measurement when this undesirable signal interaction occurs and the actual level signal is lost, the ECLIPSE Model 700 offers a unique solution by utilizing a concept called **Overfill Safe Operation**.

An **Overfill safe probe** is defined by the fact that it has a predictable and uniform characteristic impedance all the way down the entire length of the waveguide (probe). These probes allow the ECLIPSE Model 700 to measure accurate levels up to the process flange without any non-measurable zone at the top of the GWR probe.

**Overfill safe** GWR probes are unique to ECLIPSE GWR, and coaxial probes can be installed at any location on the vessel. Overfill safe probes are offered in several coaxial designs.

## PROBE OVERVIEW

---

Choosing the proper Guided Wave Radar (GWR) probe is the most important decision in the application process. The probe configuration establishes fundamental performance characteristics.

ECLIPSE Model 700 probes can be described by two basic configurations:

- Coaxial
- Single element (rigid rod or flexible cable)

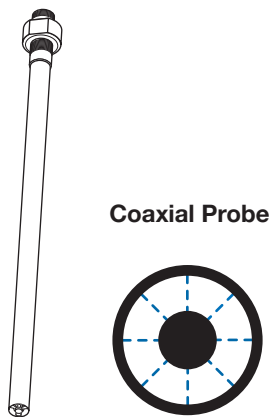
Both of these probe configurations has specific strengths and weaknesses. Although there can be overlap, and different probes can certainly be used in similar applications, it is important to understand their basic differences so that one can choose the probe type that will offer optimal performance.

The descriptions that follow are facts relating to the physics of GWR technology and are not specific to the ECLIPSE Model 700.

## COAXIAL PROBES

The coaxial probe is the most efficient of all GWR probe configurations and should be the first consideration in all applications. Analogous to the efficiency of coaxial cable, a coaxial probe allows almost unimpeded movement of the high frequency pulses throughout its length.

The electromagnetic field that develops between the inner rod and outer tube is completely contained and uniform down the entire length of the probe. See figure below. The result is a probe that is immune to any proximity affects from other objects in the vessel, and therefore, in essence, it can be used anywhere that it can mechanically fit.



The efficiency and overall sensitivity of a coaxial configuration yields robust signal strength, even in extremely low dielectric ( $\epsilon_r \geq 1.4$ ) applications. The sensitivity of this “closed” design, however, also makes it more susceptible to measurement error in applications that can have coating and buildup.

All ECLIPSE Model 700 coaxial probes are Overfill Safe as standard, by design.

## BASIC—FOR CLEAN LIQUIDS

The basic 22.5 mm (0.875") diameter coaxial GWR probe is only recommended for use in clean applications. Teflon®, PEEK, or alumina spacers centering the inner rod within the outer tube are located at 60 cm (24") intervals, resulting in a perfect characteristic impedance along the entire length of the probe.

This probe is recommended in applications with viscosities up to 500 cP (mPa.s) maximum.

## ENLARGED—FOR DIFFICULT LIQUIDS

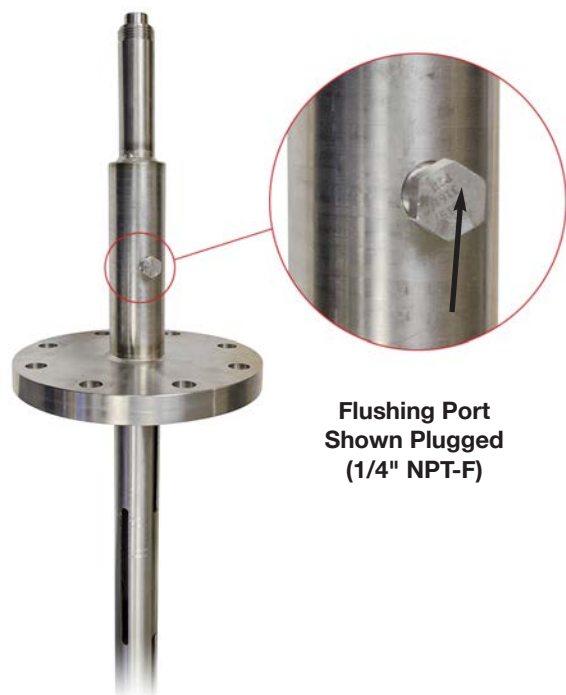
The Enlarged 45 mm (1.75") diameter coaxial GWR probes can be generally used for most applications. They can be installed directly into the tank as well as into bypass cages, stillwells or bridles.

The robust construction reduces the number of spacers required, allowing the probe to be used in applications where higher risk of buildup exists. To further reduce the possibility of media buildup, the use of a single bottom spacer is recommended up to probe lengths of 2.54 meters (100 inches). The overall sensitivity and performance of an enlarged coaxial GWR probe is identical to a standard coaxial GWR probe, but it offers the very important advantage that it can be used in applications with viscosities up to 2,000 cP (mPa.s).

## OPTIONAL FLUSHING CONNECTION

The maintenance of coaxial GWR probes in applications suffering from buildup or crystallization can be significantly improved by using an optional flushing connection. This flushing connection is a metal extension with a port welded above the process connection. The port allows the user to purge the inside of the coaxial GWR probe during routine maintenance.

**Note:** The best approach to eliminate the effects of condensation or crystallization is to install adequate insulation or heat tracing (steam or electrical). A flushing connection is no substitute for proper maintenance, but will help to reduce the frequency of the intervention.



## SINGLE ROD PROBES

Single element GWR probes act quite differently than the coaxial design. With only one conductor to work with, the pulses of energy develop between the single rod probe and the mounting nut or flange. In other words, the pulse propagates down and around the rod as it references its ground at the top of the tank.

The energy and efficiency of the pulse are directly related to how much metallic surface exists around it at the top of the vessel. This metallic surface at the top of the probe is called the “launch plate.” The larger the launch plate, the more efficient the signal propagation down the probe.

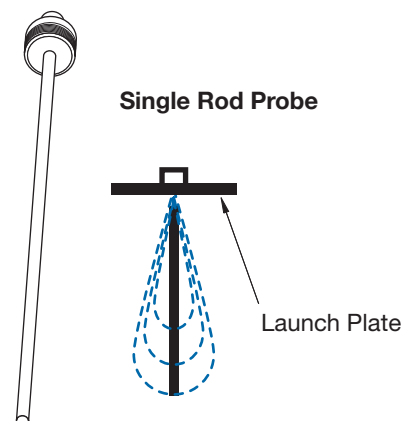
The figure at right shows the single element design and how the electromagnetic pulse effectively expands into a teardrop shape as it propagates away from the top of the tank (the inherent ground reference). This single element configuration (rod or cable) is less efficient, but can still operate with a minimum dielectric detection of approximately  $\epsilon_r > 1.7$  in an open, non-metallic vessel.

However, this dielectric constant performance improves considerably ( $\epsilon_r > 1.4$ ) when the single rod probe is installed in a metal cage/bridle, or mounted 50–150 mm (2–6") away from a metal tank wall. Because the design is “open,” it exhibits two strong tendencies:

- It is the most forgiving of coating and buildup. (The PFA-insulated probe is the best choice for severe buildup and coating).
- It is most affected by proximity issues.

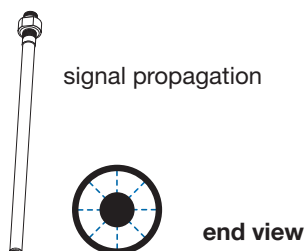
It is important to note that a parallel metal wall INCREASES the performance of a single rod probe while a singular, metal object protruding out near the probe may be improperly detected as a liquid level. These tendencies are application/installation dependent.

Contact the factory for additional support and questions.

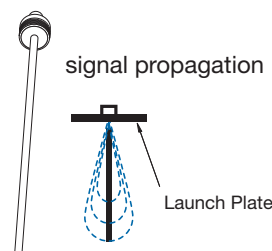


## PROBE SELECTION GUIDE

### COAXIAL/CAGED GWR PROBE



### SINGLE ROD/CABLE PROBE



GWR Probe <sup>①</sup>	Description	Application	Installation	Dielectric Range <sup>②③</sup>	Temperature Range	Max. Pressure	Vacuum <sup>④</sup>	Overfill Safe	Viscosity cP (mPa.s)
<b>Coaxial GWR Probes—Liquids</b>									
7zT	Standard Temperature	Level/Interface	Tank/Chamber	$\epsilon_r$ 1.4–100	-40 to +200 °C (-40 to +400 °F)	70 bar (1000 psi)	Yes	Yes	500/2000
7zP	High Pressure	Level/Interface	Tank/Chamber	$\epsilon_r$ 1.4–100	-196 to +200 °C (-320 to +400 °F)	431 bar (6250 psi)	Full	Yes	500/2000
<b>Single Rod Rigid GWR Probes—Liquids</b>									
7zF	Standard Temperature	Level/Interface	Tank	$\epsilon_r$ 1.4–100	-40 to +200 °C (-40 to +400 °F)	70 bar (1000 psi)	Yes	No <sup>⑤</sup>	10000
<b>Single Cable Flexible GWR Probes—Liquids</b>									
7z1	Standard Temperature	Level/Interface	Tank	$\epsilon_r$ 1.4–100	-40 to +200 °C (-40 to +400 °F)	70 bar (1000 psi)	Yes	No <sup>⑤</sup>	10000

① 2<sup>nd</sup> digit B=English, D=Metric

② Minimum  $\epsilon_r$  1.2 with end of probe analysis enabled.

③ Single rod probes mounted directly into the vessel must be within 75-150 mm (3–6 inches) of metal tank wall to obtain minimum dielectric of 1.4, otherwise  $\epsilon_r$  min = 1.7.

④ ECLIPSE probes containing o-rings can be used for vacuum (negative pressure) service, but only those probes with glass seals are hermetically sealed to  $<10^{-8}$  cc/sec @ 1 atmosphere helium.

⑤ Overfill capability can be achieved with software.

# TRANSMITTER SPECIFICATIONS

## FUNCTIONAL/PHYSICAL

<b>System Design</b>	
Measurement Principle	Guided Wave Radar based on Time Domain Reflectometry (TDR)
<b>Input</b>	
Measured Variable	Level, as determined by GWR time of flight
Span	15 cm to 30 m (6 inches to 100 feet)
<b>Output</b>	
Type	4 to 20 mA with HART: 3.8 mA to 20.5 mA useable (per NAMUR NE43)
Resolution	Analog: .003 mA Digital Display: 1 mm
Loop Resistance	590 ohms @ 24 VDC and 22 mA
Diagnostic Alarm	Selectable: 3.6 mA, 22 mA (meets requirements of NAMUR NE 43), or HOLD last output
Diagnostic Indication	Meets requirements of NAMUR NE107
Damping	Adjustable 0–10 seconds
<b>User Interface</b>	
Keypad	4-button menu-driven data entry
Display	Graphic liquid crystal display
Digital Communication/Systems	HART Version 7—with Field Communicator, AMS, or FDT DTM (PACTware™), EDDL
Menu Languages	Transmitter LCD: English, French, German, Spanish, Russian HART DD: English, French, German, Spanish, Russian, Chinese, Portuguese, Polish
<b>Power</b> (at transmitter terminals)	11 VDC minimum under certain conditions (refer to I&O Manual BE57-660)
<b>Housing</b>	
Material	IP67/die-cast aluminum A413 (<0.4 % copper)
Net/Gross Weight	Aluminum: 4 lbs. (1.8 kg)
Overall Dimensions	H 137 mm (5.41") x W 123 mm (4.86") x D 116 mm (4.55")
Cable Entry	1/2" NPT or M20
SIL 2/3 Capable (Certified)	Safe Failure Fraction = 92.4 % (HART only) Functional Safety to SIL 2/3 in accordance with IEC 61508
<b>Environment</b>	
Operating Temperature	-40 to +80 °C (-40 to +175 °F); LCD viewable -20 to +70 °C (-5 to +160 °F)
Storage Temperature	-45 to +85 °C (-50 to +185 °F)
Humidity	0 to 99 %, non-condensing
Electromagnetic Compatibility	Meets CE requirement (EN 61326) and NAMUR NE 21 ①
Surge Protection	Meets CE EN 61326 (1000V)
Shock/Vibration	ANSI/ISA-S71.03 Class SA1 (Shock); ANSI/ISA-S71.03 Class VC2 (Vibration)

① Single rod probes must be used in metallic vessel or stillwell to maintain CE noise immunity.

# TRANSMITTER SPECIFICATIONS CONTINUED

---

## FUNCTIONAL/PHYSICAL

### Performance

Reference Conditions ①		Reflection from liquid, with dielectric constant in center of selected range, with a 1.8 m (72") coaxial probe at +20 °C (+70 °F), in Auto Largest Threshold Mode
Linearity ②	Coaxial, Single Rod/Cable:	<0.1% of probe length or 2.5 mm (0.1 inch), whichever is greater
Accuracy	Coaxial, Single Rod/Cable:	±0.1% of probe length or ±2.5 mm (0.1 inch), whichever is greater
	Interface Operation:	Coaxial: ±25 mm (1 inch) for an interface thickness greater than 50 mm (2 inches)
Resolution		±1 mm or 0.1 inch
Repeatability		<2.5 mm (0.1 inch)
Hysteresis		<2.5 mm (0.1 inch)
Response Time		Approximately 1 second
Initialization Time		Less than 10 seconds
Ambient Temperature Effect		Approx. ±0.02 % of probe length/degree C (for probes greater than 2.5 m (8 feet))
Process Dielectric		<7.5 mm (0.3 inch) within selected range

① Specifications will degrade in Fixed Threshold mode.

② Linearity in top 46 cm (18 inches) of twin cable and single rod probes in tanks will be application dependent.



# COAXIAL PROBE MATRIX

	7zT	7zP
<b>Description</b>	Standard Temperature	High Pressure
<b>Application</b>	Level/Interface	Level/Interface
<b>Installation</b>	Tank/Chamber	Tank/Chamber
<b>Overfill Safe</b>	Yes	Yes
<b>Materials – Probe</b>	316/316L (1.4401/1.4404)	316/316L (1.4401/1.4404)
<b>Process Seal</b>	Teflon® TFE with Viton® o-rings ①	Hermetic Glass Ceramic, Inconel
<b>Spacers</b>	Teflon® TFE	Teflon® TFE
<b>Probe Outside Diameter</b>		
<b>Enlarged</b>	316 SS: 45 mm (1.75")	316 SS: 45 mm (1.75")
<b>Basic</b>	22.5 mm (0.87")	22.5 mm (0.87")
<b>Process Connection</b>		
<b>Threaded</b>	3/4" NPT or 1" BSP Enlarged 2" NPT	3/4" NPT or 1" BSP Enlarged 2" NPT
<b>Flanged</b>	Various ASME and EN1092	Various ASME and EN1092
<b>Available Probe Length</b>	30 to 610 cm (12 to 240 inches)	30 to 610 cm (12 to 240 inches)
<b>Transition Zones ②</b>		
<b>Top</b>	0 mm (0 inches)	0 mm (0 inches)
<b>Bottom</b>	$\epsilon_r = 1.4$ : 150 mm (6 inches) ⑤, $\epsilon_r = 80$ : 50 mm (2 inches)	$\epsilon_r = 1.4$ : 150 mm (6 inches) ⑤, $\epsilon_r = 80$ : 50 mm (2 inches)
<b>Process Temperature</b>	-40 to +200 °C (-40 to +400 °F)	-196 to +200 °C (-320 to +400 °F)
<b>Max. Process Pressure ③</b>	70 bar @ +20 °C (1000 psi @ +70 °F)	431 bar @ +20 °C (6250 psi @ +70 °F)
<b>Dielectric Range</b>	1.4 to 100 ⑥	1.4 to 100 ⑥
<b>Vacuum Service ④</b>	Negative Pressure, but no hermetic seal	Full Vacuum
<b>Viscosity</b>		
<b>Enlarged</b>	2000cP (mPa.s)	2000cP (mPa.s)
<b>Basic</b>	500cP (mPa.s)	500cP (mPa.s)
<b>Media Coating</b>	Filming	Filming

① Other o-ring materials available upon request.

② Transition zones (areas with reduced accuracy) are dielectric dependent. It is recommended to set the 0-100 % measuring range outside of the transition zones.

③ Refer to chart on page 10.

④ ECLIPSE probes containing o-rings can be used for vacuum (negative pressure) service, but only those probes with glass seal are hermetically sealed to  $<10^{-8}$  cc/sec @ 1 atmosphere helium.

⑤ Can be reduced to 75 mm (3") when lower accuracy is acceptable.

⑥ 1.2 minimum dielectric when end of probe analysis is enabled.

## SINGLE ROD RIGID PROBE MATRIX

	7zF
<b>Description</b>	Standard Temperature
<b>Application</b>	Level/Interface
<b>Installation</b>	Tank/Chamber
<b>Overfill Safe</b> ⑦	No
<b>Materials – Probe</b>	316/316L (1.4401/1.4404) PFA Insulated 316/316L rod
<b>Process Seal</b>	Teflon® TFE with Viton® o-rings ①
<b>Spacers</b>	None
<b>Probe Outside Diameter</b>	Bare: 10 mm (0.38") rod Coated: 16 mm (0.625") rod
<b>Process Connection</b>	
<b>Threaded</b>	3/4"NPT; Up to 2" (NPT or BSP)
<b>Flanged</b>	Various ASME, EN1092
<b>Available Probe Length</b>	30 to 610 cm (12 to 240 inches)
<b>Transition Zones</b> ②	
<b>Top</b>	Application Dependent
<b>Bottom</b>	$\epsilon_r = 1.4$ : 150 mm (6 inches) ⑤, $\epsilon_r = 80$ : 50 mm (2 inches)
<b>Process Temperature</b>	-40 to +200 °C (-40 to +400 °F)
<b>Max. Process Pressure</b> ③	70 bar @ +20 °C (1000 psi @ +70 °F)
<b>Dielectric Range</b>	1.4 to 100 ⑥
<b>Vacuum Service</b> ④	Negative Pressure, but no hermetic seal
<b>Viscosity</b>	10,000cP (mPa.s)
<b>Media Coating</b>	Maximum Error 10 % of coated length (% Error is dependent on dielectric and thickness)

① Other o-ring materials available upon request.

② Transition zones (areas with reduced accuracy) are dielectric dependent. It is recommended to set the 0-100 % measuring range outside of the transition zones.

③ Refer to chart on page 10.

④ ECLIPSE probes containing o-rings can be used for vacuum (negative pressure) service, but only those probes with glass seal are hermetically sealed to  $<10^{-8}$  cc/sec @ 1 atmosphere helium.

⑤ Can be reduced to 75 mm (3") when lower accuracy is acceptable.

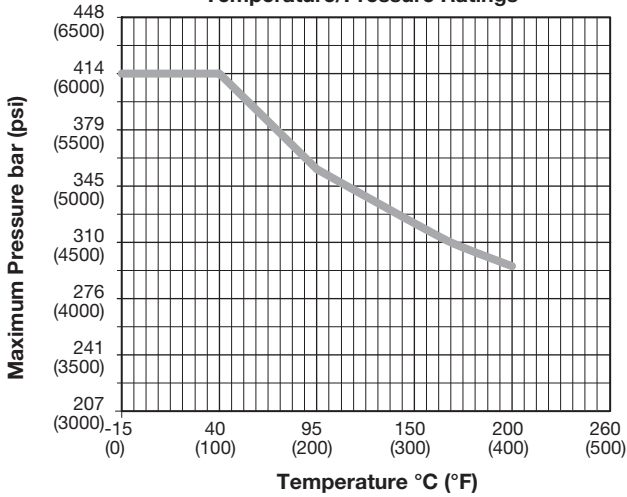
⑥ 1.2 minimum dielectric when end of probe analysis is enabled.

⑦ Overfill capability can be achieved with software.

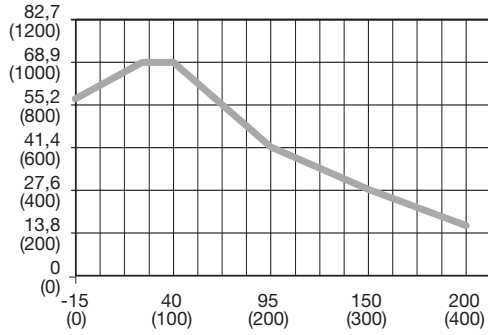
## SINGLE CABLE FLEXI- BLE PROBE MATRIX

	7z1
<b>Description</b>	Single Flexible Standard Temperature
<b>Application</b>	Level/Interface
<b>Installation</b>	Tank
<b>Overfill Safe</b> ⑦	No
<b>Materials – Cable</b>	316 (1.4401) (optional PFA coating)
<b>Process Seal</b>	Teflon® TFE with Viton® o-rings ①
<b>Probe Outside Diameter</b>	5 mm (0.19 inches)
<b>Process Connection</b>	
<b>Threaded</b>	1" NPT or 2" BSP
<b>Flanged</b>	Various ASME, EN1092
<b>Available Probe Length</b>	1 to 30 meters (3 to 100 feet)
<b>Transition Zones</b> ②	
<b>Top</b>	30 cm (12 inches)
<b>Bottom</b>	30 cm (12 inches)
<b>Process Temperature</b>	-40 to +200 °C (-40 to +400 °F)
<b>Max. Process Pressure</b> ③	70 bar @ +20 °C (1000 psi @ +70 °F)
<b>Dielectric Range</b> ⑥	1.7 to 100
<b>Vacuum Service</b> ④	Negative Pressure, but no hermetic seal
<b>Viscosity</b>	10,000 (mPa.s)
<b>Media Coating</b>	Maximum Error 10 % of coated length (% Error is dependent on dielectric and thickness)

**7zP (316/316L SST high pressure probes)  
Temperature/Pressure Ratings**



**7zF, 7zT, 7z1**



**Stainless Steel Probes**

Temp. °C (°F)	Model 7zP	Models 7zF, 7zT, 7z1
	bar (psg)	bar (psg)
-40 (-40)	414 (6000)	51,7 (750)
20 (+70)	414 (6000)	68,9 (1000)
40 (+100)	414 (6000)	68,9 (1000)
95 (+200)	356 (5160)	44,8 (650)
150 (+300)	321 (4660)	27,6 (400)
200 (+400)	295 (4280)	18,6 (270)

- 7zP with threaded fittings have 248 bar (3600 psi) rating.
- Maximum pressure for 1" NPT or 1" BSP: 316 SST probe: 139 bar (2016 psi).
- Maximum pressure for 2" NPT or 2" BSP: 316 SST probe: 414 bar (6000 psi).

## MAGNETROL CHAMBERS

A brief description of the MAGNETROL chamber offering follows. For more details, refer to bulletin 41-140.

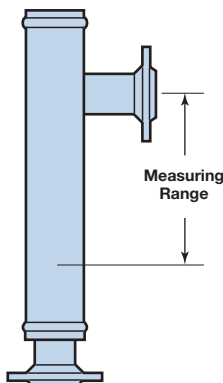
MAGNETROL has a long tradition in offering cost-effective chambers. The MAGNETROL external chamber is a self-contained cage designed for use with our top mounting level transmitters or switches. Quality construction and a wide selection of configurations make this cage an ideal means of utilizing the power of Guided Wave Radar without mounting directly into the process vessel.



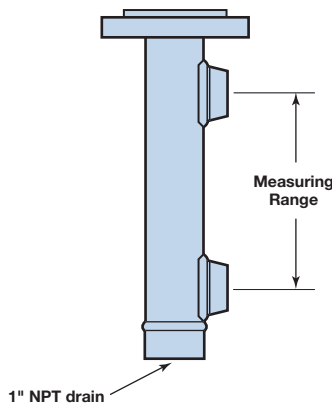
MAGNETROL chambers are available with a wide variety of options, and can be manufactured to comply with various regulations such as:

- Commercial Design
- ASME B31.1 Design Code
- ASME B31.3 Design Code
- NACE Design Code
- PED

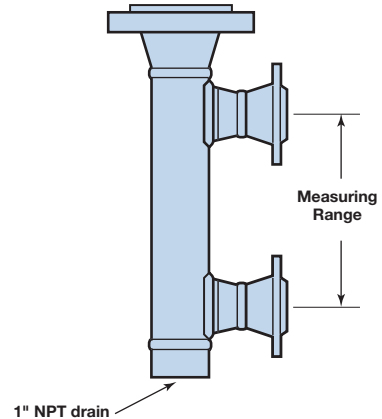
Some Model 700 probes can be installed into chambers as small as 2". When a new chamber is required, it can be ordered together with a factory pre-configured Model 700 for a true "plug and play" installation.



**Sealed Chamber**



**Slip-on head flange**



**Weld neck head flange**

# O-RING (SEAL) SELECTION CHART

## O-RING/SEAL SPECIFICATIONS

Code	O-Ring/Seal Material	Max. Process Temperature	Min. Process Temperature	Max. Process Pressure	Not Recommended For Applications	Recommended for Applications
0	<b>Viton® GFLT</b>	200 °C @ 16 bar (400 °F @ 230 psi)	-40 °C (-40 °F)	70 bar @ 20 °C (1000 psi @ 70 °F)	Ketones (MEK, acetone), skydrol fluids, amines, anhydrous ammonia, low molecular weight esters and ethers, hot hydrofluoric or chlorosulfuric acids, sour HCs	General purpose, ethylene
2	<b>Kalrez® 4079</b>	200 °C @ 16 bar (400 °F @ 232 psi)	-40 °C (-40 °F)	70 bar @ 20 °C (1000 psi @ 70 °F)	Hot water/steam, hot aliphatic amines, ethylene oxide, propylene oxide	Inorganic and organic acids (including hydro fluids and nitric), aldehydes, ethylene, organic oils, glycols, silicone oils, vinegar, sour HCs
8	<b>Simriz SZ485</b> (formerly Aegis PF128) ①	200 °C @ 16 bar (400 °F @ 232 psi)	-20 °C (-4 °F)	70 bar @ 20 °C (1000 psi @ 70 °F)	Black liquor, freon 43, freon 75, galden, KEL-F liquid, molten potassium, molten sodium	Inorganic and organic acids (including hydro fluids and nitric), aldehydes, ethylene, organic oils, glycols, silicone oils, vinegar, sour HCs, steam, amines, ethylene oxide, propylene oxide, NACE applications
A	<b>Kalrez® 6375</b>	200 °C @ 16 bar (400 °F @ 232 psi)	-40 °C (-40 °F)	70 bar @ 20 °C (1000 psi @ 70 °F)	Hot water/steam, hot aliphatic amines	Inorganic and organic acids (including hydro fluids and nitric), aldehydes, ethylene, organic oils, glycols, silicone oils, vinegar, sour HCs. ethylene oxide, propylene oxide
D or N	<b>Glass Ceramic Alloy</b>	450 °C @ 248 bar (850 °F @ 3600 psi)	-195 °C (-320 °F)	431 bar @ 20 °C (6250 psi @ 70 °F)	Hot alkaline solutions HF acid, media with pH>12, direct exposure to saturated steam	General high temperature/high pressure applications, hydrocarbons, full vacuum (hermetic), ammonia, chlorine

① Maximum +150 °C (+300 °F) for use on steam.



These units are in compliance with the EMC-directive 2014/30/EU, the PED-directive 2014/68/EU and the ATEX directive 2014/34/EU.

## Intrinsically Safe

### US: FM19US0182X

Class I, II, III, Div 1, Group A, B, C, D, E, F, G, T4...T1  
 Class I, Zone 0 AEx ia IIC T4...T1 Ga  
 Ta = -40 °C to + 70 °C  
 Type 4X, IP66/67

### Canada: FM19CA0094X

Class I, II, III, Div 1, Group A, B, C, D, E, F, G, T4...T1  
 Zone 0, Ex ia IIC T4...T1 Ga  
 Ta = -40 °C to + 70 °C  
 Type 4X, IP66/67

### ATEX – FM19ATEX0197X:

II 1 G Ex ia IIC T4 Ga  
 Ta = -40 °C to +70 °C  
 IP 66/67

### IEC – IECEX FMG 19.0037X:

Ex ia IIC T4 Ga  
 Ta = -40 °C to +70 °C  
 IP 66/67

## Non- Incendive

### US: FM19US0182X

Class I, II, III, Div 2, Group A, B, C, D, E, F, G, T4...T1  
 Class I, Zone 2 AEx nA IIC T4...T1 Gc  
 Ta = -15 °C to + 70 °C  
 Type 4X, IP66/67

### Canada: FM19CA0094X

Class I, II, III, Div 2, Group A, B, C, D, E, F, G, T4...T1  
 Zone 2, Ex nA IIC T4...T1 Gc  
 Ta = -15 °C to + 70 °C  
 Type 4X, IP66/67

### ATEX – FM19ATEX0199X:

II 3 G Ex nA IIC T4...T1 Gc  
 Ta = -15 °C to +70 °C  
 IP 66/67

### IEC – IECEX FMG 19.0037X:

Ex nA IIC T4 Gc  
 Ta = -15 °C to + 70 °C  
 IP 66/67

The following approval standards are applicable:

FM3600:2018, FM3610:2010, FM3611:2018, FM3616:2011, FM3810:2018, UL60079-0:2019, ANSI/ISA 60079-11:2014, ANSI/ISA 60079-15:2012, ANSI/ISA 60079-26:2014, ANSI/NEMA 250:2003, ANSI/IEC 60529:2004, CSA-C22.2 No. 25:2009, CSA-C22.2 No. 30:2007, CSA- C22.2 No. 94:2001, CSA-C22.2 No. 157:2012, CSA-C22.2 No. 213:2012, CAN/CSA 60079-0:2019 CAN/CSA 60079-11:2011 CAN/CSA 60079-15:2012 C22.2 No. 60529:R2010, ANSI/ISA 12.27.01, EN/IEC60079-0:2018, EN60079-11:2012, EN60079-15:2010, EN60079-26:2007, EN60529+A1:1991-2000, IEC60079-0:2017, IEC60079-1:2014, IEC60079-11:2011, IEC60079-15:2010, IEC60079-26:2006, ANSI/ISA 12.27.01:2011

# AGENCY APPROVALS

---

## Special Conditions of Use

1. The enclosure contains aluminum and is considered to present a potential risk of ignition by impact or friction. Care must be taken during installation and use to prevent impact or friction.
2. The risk of electrostatic discharge shall be minimized at installation, following the directions given in the instructions.
3. For installation with ambient temperature of +70 °C, refer to the manufacturer's instructions for guidance on proper selection of conductors.
4. **WARNING** — Explosion Hazard: Do not disconnect equipment when flammable or combustible atmosphere is present.

## REPLACEMENT OF DISPLACER TRANSMITTERS

---

ECLIPSE has proven to be the ideal replacement for existing torque tube transmitters. In numerous applications worldwide, customers have found the performance of ECLIPSE Guided Wave Radar transmitters to be superior to that of antiquated torque tube transmitters.

There are several benefits to using the ECLIPSE Model 706 as a replacement for torque tube transmitters:

- **Cost:**

The cost of a new Model 700 transmitter cost is comparable to rebuilding an aging torque tube.

- **Installation:**

No field calibration is necessary. The Model 700 transmitter can be configured in minutes with no level movement. (Complete factory pre-configuration is available, which can further decrease the installation effort).

- **Performance:**

The ECLIPSE Model 700 is unaffected by changes in specific gravity and has no moving parts that can wear and lose tolerance.

- **Ease of replacement:**

Proprietary and standard ASME flanges are offered on all ECLIPSE Model 700 probes so existing chamber/cages can be used.

In order to match the proper ECLIPSE transmitter with the proper external cage, consider the following:

- **Type of application:**

Use the proper GWR probe for the application, see pages 8 and 9.

- **Overfill proof:**

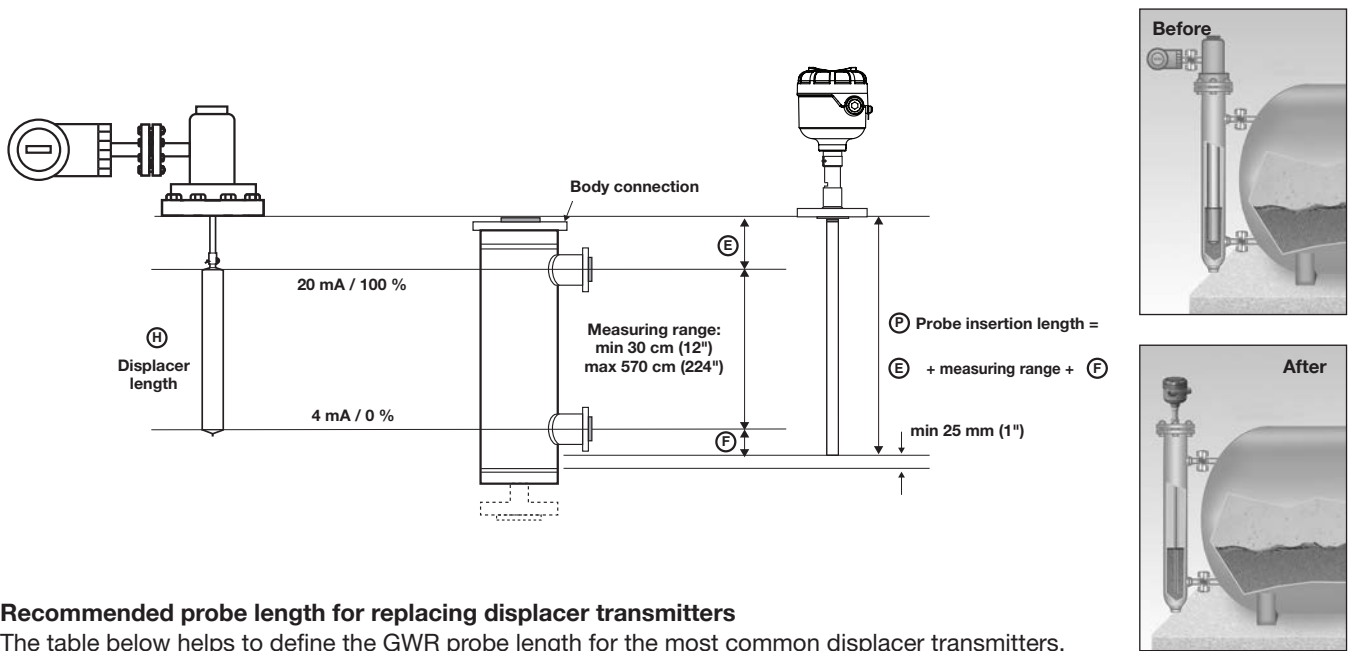
For optimum performance, use an overfill-safe probe in all chamber applications.

**Note:** "Overfill" occurs when the level rises above the maximum range of operation. *Some GWR probes may provide erroneous output in this zone unless an optimal, impedance-matched design is used.*

- **Minimum Cage Size:**

- Basic coaxial or single rod probes: 2" minimum
- Enlarged coaxial probes: 3" minimum

# REPLACEMENT OF DISPLACER TRANSMITTERS



## Recommended probe length for replacing displacer transmitters

The table below helps to define the GWR probe length for the most common displacer transmitters. Refer to the proprietary flange selection guide.

Manufacturer	Type	Process Connection	Displacer Length mm (inches)	Probe Length <sup>①</sup> mm (inches)
MAGNETROL	EZ & PN Modulelevel®	ASME/EN flange	≥ 356 (14")	Displacer + 178 (7)

<sup>①</sup> Round down resulting calculation to the nearest mm/inch.

## QUICK RESPONSE CELL (QRC)

Several models are available for extra quick shipment, within max. 15 days after factory receipt of purchase order, through the Quick Response Cell (QRC). To take advantage of QRC, simply match the green model number codes.

QRC delivery is limited to a maximum of 10 units per order. Contact your local representative for lead times on larger volume orders, as well as other products and options.

# MODEL NUMBER

## TRANSMITTER

### 1 2 3 | BASIC MODEL NUMBER

7 0 0	ECLIPSE Guided Wave Radar (GWR) Level Transmitter
-------	---

### 4 | POWER

5	24 VDC, Two-Wire
---	------------------

### 5 | SIGNAL OUTPUT

1	4–20 mA with HART
---	-------------------

### 6 | SAFETY OPTIONS

2	SIL 2/3 Certified
---	-------------------

### 7 | ACCESSORIES/MOUNTING

0	No Digital Display or Keypad – Integral
A	Digital Display and Keypad – Integral

### 8 | CLASSIFICATION

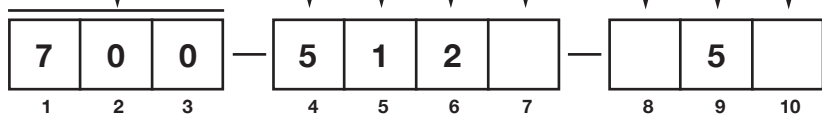
0	General Purpose, Weatherproof (IP 67)
1	Intrinsically Safe (FM & CSA CL 1 Div 1, Grps A, B, C, D)
A	Intrinsically Safe (ATEX/IEC Ex ia IIC T4)
C	Non-sparking (ATEX/IEC Ex n IIC T6) / Non-incendive (FM & CSA, CL 1 Div 2)

### 9 | HOUSING

5	Die-cast Aluminum, Single-compartment
---	---------------------------------------

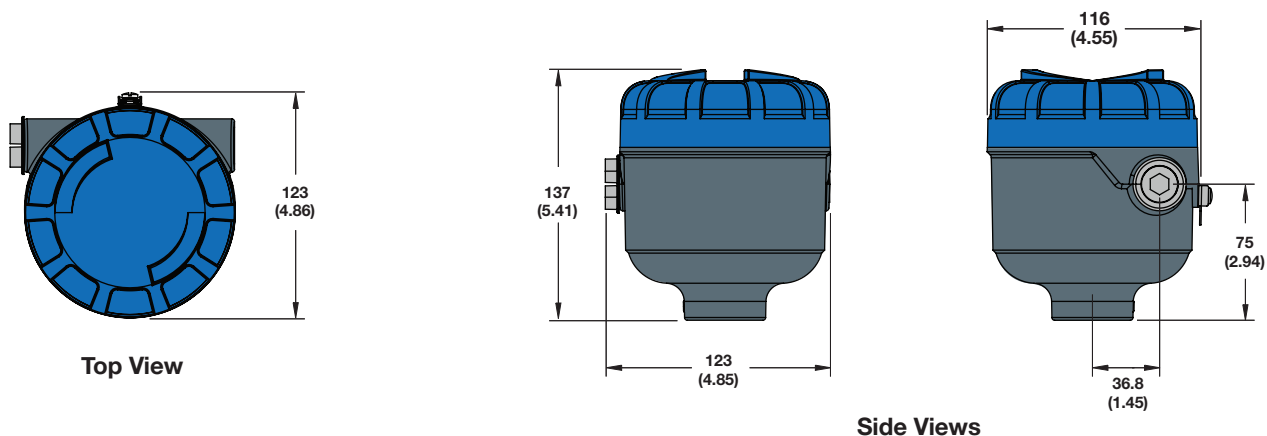
### 10 | CONDUIT CONNECTION

0	1/2" NPT
1	M20



## DIMENSIONS

mm (inches)





# MODEL NUMBER

## SMALL COAXIAL PROBE

### 1 | TECHNOLOGY

7	ECLIPSE GWR Probes - Model 700
---	--------------------------------

### 2 | MEASUREMENT SYSTEM

B	English (inches)
D	Metric (centimeters)

### 3 | CONFIGURATION/STYLE (RIGID)

P	Small Coaxial, High Pressure: Overfill w/Glass Seal (+200 °C/+400 °F) — Available only with 10th digit N
T	Small Coaxial, Overfill Standard O-Ring Seal (+200 °C/+400 °F) — NOT available with 10th digit N

### 4 5 | PROCESS CONNECTION – SIZE/TYPE (consult factory for other process connections)

Threaded

1 1	3/4" NPT Thread	2 2	1" BSP (G1) Thread
4 1	2" NPT Thread	4 2	2" BSP (G2) Thread

ASME Flanges

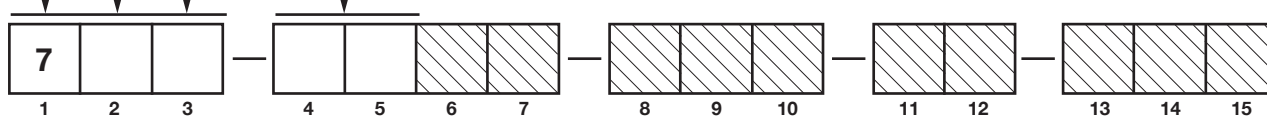
2 3	1" 150# ASME RF ①②	3 8	1 1/2" 2500# ASME RF	5 3	3" 150# ASME RF	6 3	4" 150# ASME RF
2 4	1" 300# ASME RF ①②	3 N	1 1/2" 2500# ASME RTJ	5 4	3" 300# ASME RF	6 4	4" 300# ASME RF
2 5	1" 600# ASME RF ①②	4 3	2" 150# ASME RF	5 5	3" 600# ASME RF	6 5	4" 600# ASME RF
2 K	1" 600# ASME RTJ ①②	4 4	2" 300# ASME RF	5 6	3" 900# ASME RF	6 6	4" 900# ASME RF
3 3	1 1/2" 150# ASME RF ②	4 5	2" 600# ASME RF	5 7	3" 1500# ASME RF	6 7	4" 1500# ASME RF
3 4	1 1/2" 300# ASME RF ②	4 7	2" 900/1500# ASME RF	5 8	3" 2500# ASME RF	6 8	4" 2500# ASME RF
3 5	1 1/2" 600# ASME RF ②	4 8	2" 2500# ASME RF	5 K	3" 600# ASME RTJ	6 K	4" 600# ASME RTJ
3 K	1 1/2" 600# ASME RTJ ②	4 K	2" 600# ASME RTJ	5 L	3" 900# ASME RTJ	6 L	4" 900# ASME RTJ
3 7	1 1/2" 900/1500# ASME RF②	4 M	2" 900/1500# ASME RTJ	5 M	3" 1500# ASME RTJ	6 M	4" 1500# ASME RTJ
3 M	1 1/2" 900/1500# ASME RTJ②	4 N	2" 2500# ASME RTJ	5 N	3" 2500# ASME RTJ	6 N	4" 2500# ASME RTJ

EN Flanges

B Z	DN 25, PN 16/25/40 EN 1092-1 TYPE B1①②	E W	DN 80, PN 16 EN 1092-1 TYPE B1
B C	DN 25, PN 63/100 EN 1092-1 TYPE B2①②	E Z	DN 80, PN 25/40 EN 1092-1 TYPE B1
C Z	DN 40, PN 16/25/40 EN 1092-1 TYPE B1②	E D	DN 80, PN 63 EN 1092-1 TYPE B2
C C	DN 40, PN 63/100 EN 1092-1 TYPE B2②	E E	DN 80, PN 100 EN 1092-1 TYPE B2
C F	DN 40, PN 160 EN 1092-1 TYPE B2②	E F	DN 80, PN 160 EN 1092-1 TYPE B2
C G	DN 40, PN 250 EN 1092-1 TYPE B2②	E G	DN 80, PN 250 EN 1092-1 TYPE B2
C H	DN 40, PN 320 EN 1092-1 TYPE B2②	E H	DN 80, PN 320 EN 1092-1 TYPE B2
C J	DN 40, PN 400 EN 1092-1 TYPE B2②	E J	DN 80, PN 400 EN 1092-1 TYPE B2
D W	DN 50, PN 16 EN 1092-1 TYPE B1	F W	DN 100, PN 16 EN 1092-1 TYPE B1
D Z	DN 50, PN 25/40 EN 1092-1 TYPE B1	F Z	DN 100, PN 25/40 EN 1092-1 TYPE B1
D D	DN 50, PN 63 EN 1092-1 TYPE B2	F D	DN 100, PN 63 EN 1092-1 TYPE B2
D E	DN 50, PN 100 EN 1092-1 TYPE B2	F E	DN 100, PN 100 EN 1092-1 TYPE B2
D F	DN 50, PN 160 EN 1092-1 TYPE B2	F F	DN 100, PN 160 EN 1092-1 TYPE B2
D G	DN 50, PN 250 EN 1092-1 TYPE B2	F G	DN 80, PN 250 EN 1092-1 TYPE B2
D H	DN 50, PN 320 EN 1092-1 TYPE B2	F H	DN 100, PN 320 EN 1092-1 TYPE B2
D J	DN 50, PN 400 EN 1092-1 TYPE B2	F J	DN 100, PN 400 EN 1092-1 TYPE B2

① Confirm mounting conditions/nozzle diameter to ensure sufficient clearance.

② Not available with 3rd Digit P.



# MODEL NUMBER CONTINUED

## SMALL COAXIAL PROBE

### 6 | CONSTRUCTION CODES

0	Industrial
---	------------

### 7 | FLANGE OPTIONS — Offset flanges are available only with small coaxial probes

0	None
1	Offset (For use with AURORA) — 4" flange only
2	Offset with 1/2" NPT Vent (For use with AURORA) — 4" flange only
3	Offset with 3/4" NPT Vent (For use with AURORA) — 4" flange only

### 8 | MATERIAL OF CONSTRUCTION - FLANGE/NUT/ROD/INSULATION

A	316 SS/316L SS
---	----------------

### 9 | SPACER MATERIAL

1	TFE (+200 °C/+400 °F) — $\epsilon_r \geq 1.4$
---	---

### 10 | O-RING MATERIALS/SEAL OPTIONS

0	Viton® GFLT — Available only with 3rd digit T
2	Kalrez® 4079 — Available only with 3rd digit T
8	Aegis PF 128 (NACE) — Available only with 3rd digit T
A	Kalrez 6375 — Available only with 3rd digit T
N	None — glass ceramic alloy — Available only with 3rd digit P

### 11 | PROBE SIZE/ELEMENT TYPE/ FLUSHING CONNECTION

2	Small Coaxial (22 mm/0.875 inches)
---	------------------------------------

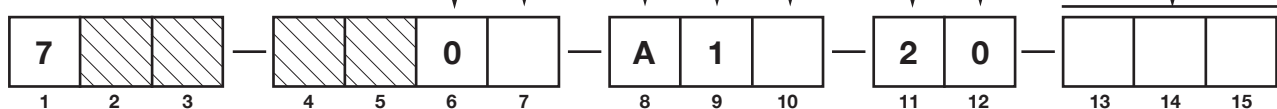
### 12 | SPECIAL OPTIONS

0	Single Length Probe (Non-Segmented)
---	-------------------------------------

### 13 14 15 | INSERTION LENGTH

X X X	cm (030 – 610) inches (012 – 240)
-------	--------------------------------------

unit of measure determined by 2nd digit of model number



# MODEL NUMBER

## ENLARGED COAXIAL PROBE

### 1 | TECHNOLOGY

7	ECLIPSE GWR Probes - Model 700
---	--------------------------------

### 2 | MEASUREMENT SYSTEM

B	English (inches)
D	Metric (centimeters)

### 3 | CONFIGURATION/STYLE (RIGID)

P	Enlarged Coaxial, High Pressure: Overfill w/Glass Seal (+200 °C/+400 °F) — Available only with 10th digit N
T	Enlarged Coaxial, Overfill Standard O-Ring Seal (+200 °C/+400 °F) — NOT available with 10th digit N

### 4 5 | PROCESS CONNECTION – SIZE/TYPE (consult factory for other process connections)

Threaded

4 1	2" NPT Thread ①	4 2	2" BSP (G2) Thread ①
-----	-----------------	-----	----------------------

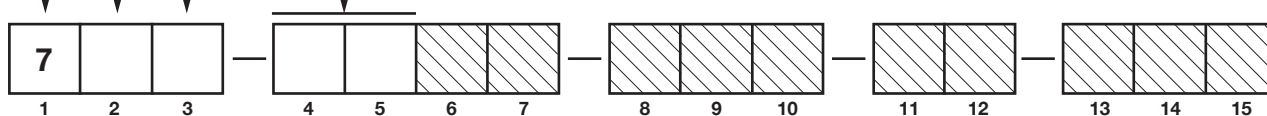
ASME Flanges

4 3	2" 150# ASME RF ①	5M	3" 1500# ASME RTJ
4 4	2" 300# ASME RF ①	5N	3" 2500# ASME RTJ
4 5	2" 600# ASME RF ①	6 3	4" 150# ASME RF
4 K	2" 600# ASME RTJ ①	6 4	4" 300# ASME RF
5 3	3" 150# ASME RF	6 5	4" 600# ASME RF
5 4	3" 300# ASME RF	6 6	4" 900# ASME RF
5 5	3" 600# ASME RF	6 7	4" 1500# ASME RF
5 6	3" 900# ASME RF	6 8	4" 2500# ASME RF
5 7	3" 1500# ASME RF	6K	4" 600# ASME RTJ
5 8	3" 2500# ASME RF	6L	4" 900# ASME RTJ
5K	3" 600# ASME RTJ	6M	4" 1500# ASME RTJ
5L	3" 900# ASME RTJ	6N	4" 2500# ASME RTJ

EN Flanges

D W	DN 50, PN 16	EN 1092-1 TYPE B1 ①	E H	DN 80, PN 320	EN 1092-1 TYPE B2
D Z	DN 50, PN 25/40	EN 1092-1 TYPE B1 ①	E J	DN 80, PN 400	EN 1092-1 TYPE B2
D D	DN 50, PN 63	EN 1092-1 TYPE B2 ①	F W	DN 100, PN 16	EN 1092-1 TYPE B1
D E	DN 50, PN 100	EN 1092-1 TYPE B2 ①	F Z	DN 100, PN 25/40	EN 1092-1 TYPE B1
E W	DN 80, PN 16	EN 1092-1 TYPE B1	F D	DN 100, PN 63	EN 1092-1 TYPE B2
E Z	DN 80, PN 25/40	EN 1092-1 TYPE B1	F E	DN 100, PN 100	EN 1092-1 TYPE B2
E D	DN 80, PN 63	EN 1092-1 TYPE B2	F F	DN 100, PN 160	EN 1092-1 TYPE B2
E E	DN 80, PN 100	EN 1092-1 TYPE B2	F G	DN 100, PN 250	EN 1092-1 TYPE B2
E F	DN 80, PN 160	EN 1092-1 TYPE B2	F H	DN 100, PN 320	EN 1092-1 TYPE B2
E G	DN 80, PN 250	EN 1092-1 TYPE B2	F J	DN 100, PN 400	EN 1092-1 TYPE B2

① Confirm mounting conditions/nozzle diameter to ensure sufficient clearance.



# MODEL NUMBER CONTINUED

## ENLARGED COAXIAL PROBE

### 6 | CONSTRUCTION CODES

0	Industrial
---	------------

### 7 | FLANGE OPTIONS — Offset flanges are available only with small coaxial probes

0	None
---	------

### 8 | MATERIAL OF CONSTRUCTION - FLANGE/NUT/ROD/INSULATION

A	316 SS/316L SS (Probe O.D. 45mm (1.75"))
---	--

### 9 | SPACER MATERIAL

1	TFE (+200 °C/+400 °F)
---	-----------------------

### 10 | O-RING MATERIALS/SEAL OPTIONS

0	Viton® GFLT — Available only with 3rd digit T
2	Kalrez® 4079 — Available only with 3rd digit T
8	Aegis PF 128 (NACE) — Available only with 3rd digit T
A	Kalrez 6375 — Available only with 3rd digit T
N	None — glass ceramic alloy — Available only with 3rd digit P

### 11 | PROBE SIZE/ELEMENT TYPE/FLUSHING CONNECTION

0	Enlarged Coaxial Probe
1	Enlarged Coaxial Probe with Flushing Port

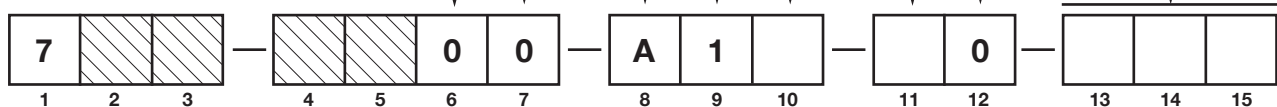
### 12 | SPECIAL OPTIONS

0	Single Length Probe (Non-Segmented)
---	-------------------------------------

### 13 14 15 | INSERTION LENGTH

X X X	cm (030 – 610) inches (012 – 240)
-------	--------------------------------------

unit of measure determined by 2nd digit of model number



# MODEL NUMBER

## SINGLE ROD RIGID PROBE

### 1 | TECHNOLOGY

7	ECLIPSE GWR Probes - Model 700
---	--------------------------------

### 2 | MEASUREMENT SYSTEM

B	English (inches)
D	Metric (centimeters)

### 3 | CONFIGURATION/STYLE (RIGID)

F	Single Rod, Standard (200 °C/+400 °F)
---	---------------------------------------

### 4 5 | PROCESS CONNECTION – SIZE/TYPE (consult factory for other process connections)①

Threaded

1 1	3/4" NPT Thread	2 2	1" BSP (G1) Thread
2 1	1" NPT Thread	4 2	2" BSP (G2) Thread
4 1	2" NPT Thread		

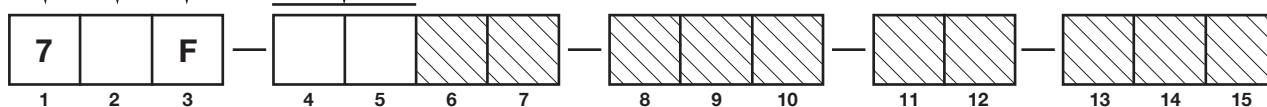
ASME Flanges

3 3	1 1/2" 150# ASME RF ①	4 N	2" 2500# ASME RTJ	5 N	3" 2500# ASME RTJ
3 4	1 1/2" 300# ASME RF ①	5 3	3" 150# ASME RF	6 3	4" 150# ASME RF
3 5	1 1/2" 600# ASME RF ①	5 4	3" 300# ASME RF	6 4	4" 300# ASME RF
4 3	2" 150# ASME RF ①	5 5	3" 600# ASME RF	6 5	4" 600# ASME RF
4 4	2" 300# ASME RF ①	5 6	3" 900# ASME RF	6 6	4" 900# ASME RF
4 5	2" 600# ASME RF ①	5 7	3" 1500# ASME RF	6 7	4" 1500# ASME RF
4 7	2" 900/1500# ASME RF	5 8	3" 2500# ASME RF	6 8	4" 2500# ASME RF
4 8	2" 2500# ASME RF	5 K	3" 600# ASME RTJ	6 K	4" 600# ASME RTJ
4 K	2" 600# ASME RTJ	5 L	3" 900# ASME RTJ	6 L	4" 900# ASME RTJ
4 M	2" 900/1500# ASME RTJ	5 M	3" 1500# ASME RTJ	6 M	4" 1500# ASME RTJ
				6 N	4" 2500# ASME RTJ

EN Flanges

C Z	DN 40, PN 16/25/40 EN 1092-1 TYPE B1	E D	DN 80, PN 63 EN 1092-1 TYPE B2
C C	DN 40, PN 63/100 EN 1092-1 TYPE B2	E E	DN 80, PN 100 EN 1092-1 TYPE B2
C F	DN 40, PN 160 EN 1092-1 TYPE B2	E F	DN 80, PN 160 EN 1092-1 TYPE B2
C G	DN 40, PN 250 EN 1092-1 TYPE B2	E G	DN 80, PN 250 EN 1092-1 TYPE B2
D W	DN 50, PN 16 EN 1092-1 TYPE B1①	E H	DN 80, PN 320 EN 1092-1 TYPE B2
D Z	DN 50, PN 25/40 EN 1092-1 TYPE B1①	E J	DN 80, PN 400 EN 1092-1 TYPE B2
D D	DN 50, PN 63 EN 1092-1 TYPE B2①	F W	DN 100, PN 16 EN 1092-1 TYPE B1
D E	DN 50, PN 100 EN 1092-1 TYPE B2①	F Z	DN 100, PN 25/40 EN 1092-1 TYPE B1
D F	DN 50, PN 160 EN 1092-1 TYPE B2	F D	DN 100, PN 63 EN 1092-1 TYPE B2
D G	DN 50, PN 250 EN 1092-1 TYPE B2	F E	DN 100, PN 100 EN 1092-1 TYPE B2
D H	DN 50, PN 320 EN 1092-1 TYPE B2	F F	DN 100, PN 160 EN 1092-1 TYPE B2
D J	DN 50, PN 400 EN 1092-1 TYPE B2	F G	DN 100, PN 250 EN 1092-1 TYPE B2
E W	DN 80, PN 16 EN 1092-1 TYPE B1①	F H	DN 100, PN 320 EN 1092-1 TYPE B2
E Z	DN 80, PN 25/40 EN 1092-1 TYPE B1	F J	DN 100, PN 400 EN 1092-1 TYPE B2

① Confirm mounting conditions/nozzle diameter to ensure sufficient clearance.



# MODEL NUMBER CONTINUED

## SINGLE ROD RIGID PROBE

### 6 | CONSTRUCTION CODES

0	Industrial
---	------------

### 7 | FLANGE OPTIONS

0	None
---	------

### 8 | MATERIAL OF CONSTRUCTION - MFG/NUT/ROD/INSULATION

A	316 SS/316L SS
F	Faced Flange, PFA coated wetted surfaces
P	PFA coated rod

### 9 | SPACER MATERIAL

0	None
---	------

### 10 | O-RING MATERIALS/SEAL OPTIONS

0	Viton® GFLT
2	Kalrez 4079
8	Aegis PF 128 (NACE)
A	Kalrez 6375

### 11 | PROBE SIZE/ELEMENT TYPE/ FLUSHING CONNECTION

0	Standard Single Rod
---	---------------------

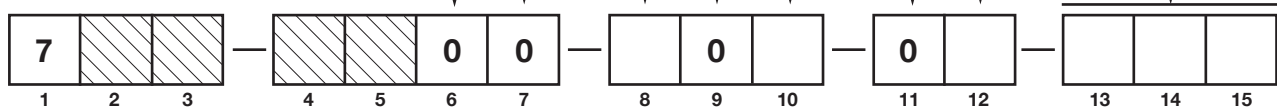
### 12 | SPECIAL OPTIONS

0	Non-Removable Rod Available only with PFA Coated Probes (8th digit F or P)
1	Removable Rod Not available with PFA Coated Probes (8th Digit F or P)

### 13 14 15 | INSERTION LENGTH

X X X	cm (030 – 732) inches (012 – 288) maximum 610 cm (240 inches) when 8th digit = F or P
-------	---

unit of measure determined by 2nd digit of model number



# MODEL NUMBER

## SINGLE FLEXIBLE PROBE

### 1 | TECHNOLOGY

7	ECLIPSE GWR Probes - Model 700
---	--------------------------------

### 2 | MEASUREMENT SYSTEM

B	English (inches)
D	Metric (centimeters)

### 3 | SPECIALTY FLEXIBLE PROBES

1	Single Cable Flexible standard for in-tank applications (+200 °C/+400 °F)
---	---

### 4 5 | PROCESS CONNECTION – SIZE/TYPE (consult factory for other process connections)

Threaded

2 1	1" NPT Thread	2 2	1" BSP (G1) Thread
3 1	1 1/2" NPT Thread	4 2	2" BSP (G2) Thread
4 1	2" NPT Thread		

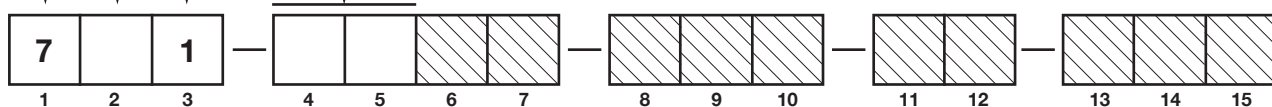
ASME Flanges

4 3	2" 150# ASME RF ①	5 3	3" 150# ASME RF	6 3	4" 150# ASME RF
4 4	2" 300# ASME RF ①	5 4	3" 300# ASME RF	6 4	4" 300# ASME RF
4 5	2" 600# ASME RF ①	5 5	3" 600# ASME RF	6 5	4" 600# ASME RF

EN Flanges

D W	DN 50, PN 16	EN 1092-1 TYPE B1 ①
D Z	DN 50, PN 25/40	EN 1092-1 TYPE B1 ①
D D	DN 50, PN 63	EN 1092-1 TYPE B2 ①
D E	DN 50, PN 100	EN 1092-1 TYPE B2 ①
E W	DN 80, PN 16	EN 1092-1 TYPE B1
E Z	DN 80, PN 25/40	EN 1092-1 TYPE B1
E D	DN 80, PN 63	EN 1092-1 TYPE B2
E E	DN 80, PN 100	EN 1092-1 TYPE B2
F W	DN 100, PN 16	EN 1092-1 TYPE B1
F Z	DN 100, PN 25/40	EN 1092-1 TYPE B1
F D	DN 100, PN 63	EN 1092-1 TYPE B2
F E	DN 100, PN 100	EN 1092-1 TYPE B2

① Confirm mounting conditions/nozzle diameter to ensure sufficient clearance.



# MODEL NUMBER CONTINUED

## SINGLE FLEXIBLE PROBE

### 6 | CONSTRUCTION CODES

0	Industrial
---	------------

### 7 | FLANGE OPTIONS

0	None
---	------

### 8 | MATERIAL OF CONSTRUCTION - MFG/NUT/ROD/INSULATION

A	316 SS/316L SS
P	PFA Coated

### 9 | SPACER/WEIGHT MATERIAL

0	PTFE Weight
---	-------------

### 10 | O-RING MATERIALS/SEAL OPTIONS

0	Viton® GFLT
2	Kalrez 4079
8	Aegis PF 128 (NACE)
A	Kalrez 6375

### 11 | PROBE SIZE/ELEMENT TYPE/ FLUSHING CONNECTION

3	Flexible Cable Probe
---	----------------------

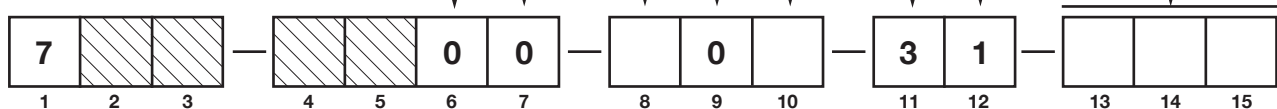
### 12 | SPECIAL OPTIONS

1	Removable Single-piece Probe Cable
---	---------------------------------------

### 13 14 15 | INSERTION LENGTH

X X X	meters (001 – 030) feet (003 – 100)
-------	--

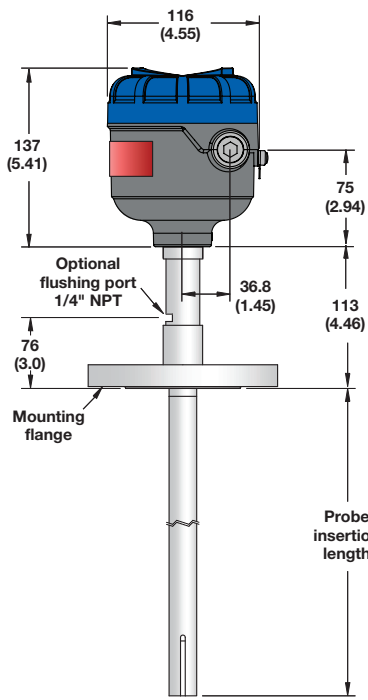
unit of measure determined by 2nd digit of model number



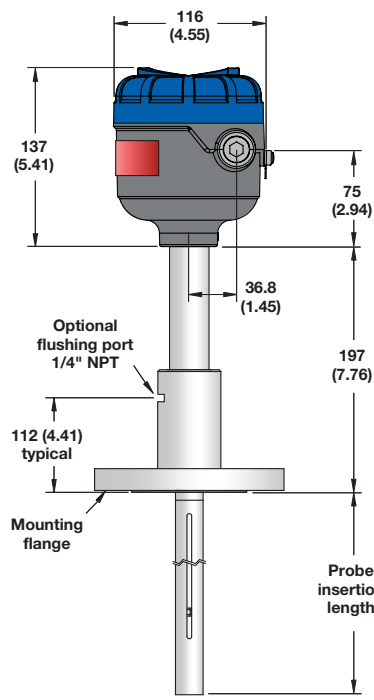


# COAXIAL PROBE DIMENSIONS

mm (inches)



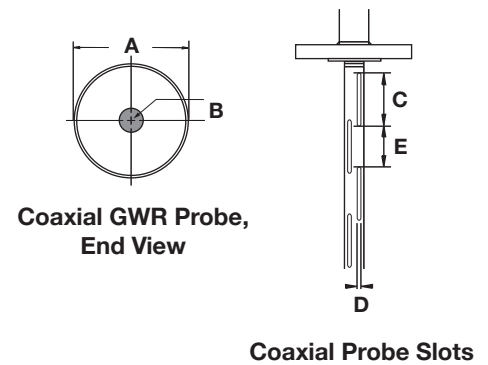
**Model 7zT**  
with flanged connection



**Model 7zP**  
with flanged connection

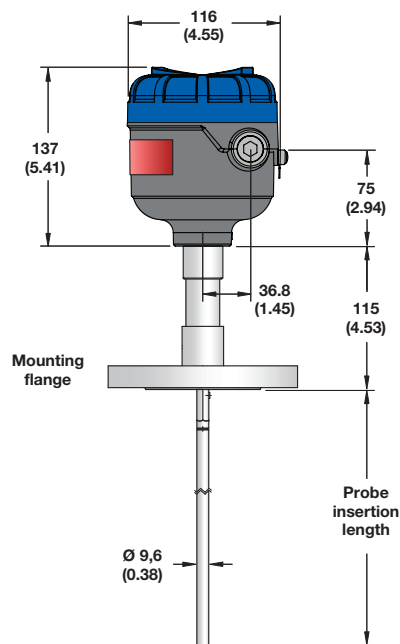
mm (inches)

Dim.	Small Diameter	Enlarged (standard)
A	22.5 (0.88)	45 (1.75) - SST
B	8 (0.31)	16 (0.63)
C	100 (4.08)	153 (6.05)
D	4 (0.15)	8 (0.30)
E	96 (3.78)	138 (5.45)



# SINGLE ROD RIGID PROBE DIMENSIONS

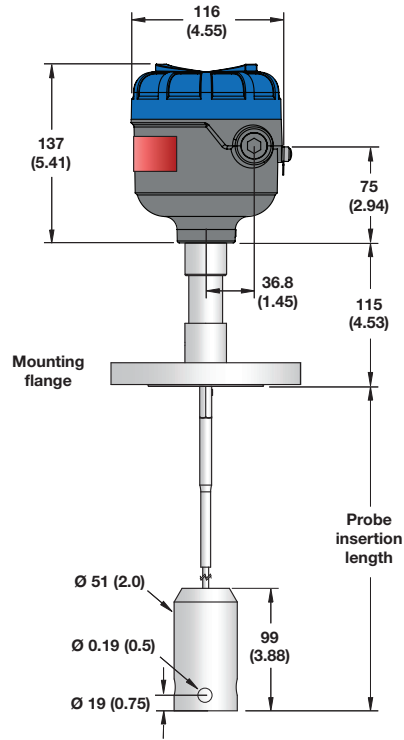
mm (inches)



**Model 7zF**  
with flanged connection

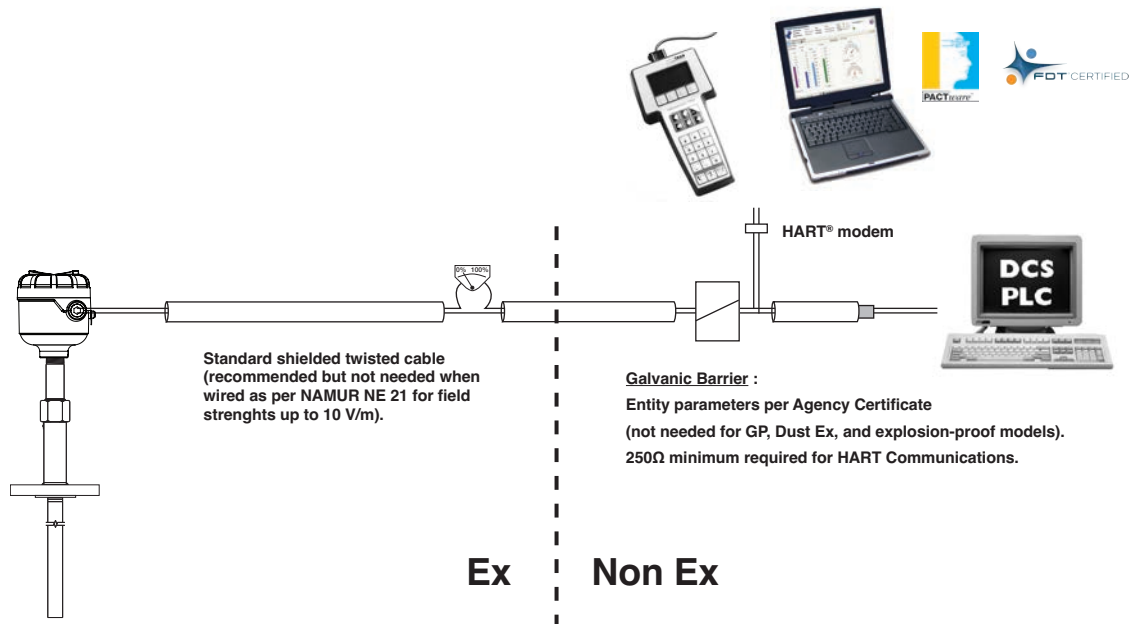
# SINGLE CABLE FLEXIBLE PROBE DIMENSIONS

mm (inches)



**Model 7z1  
with flanged connection**

## ELECTRICAL WIRING



# "IN TANK" STANDARD SINGLE ROD PROBE MOUNTING CONSIDERATIONS

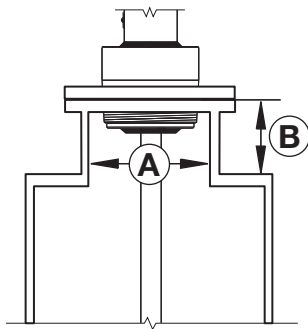
## 1. Turbulence

The bottom of rigid probes should be stabilized if turbulence will cause a deflection of more than 75 mm (3") at the end of a 3 m (10') length. The probe should not make contact with metal.

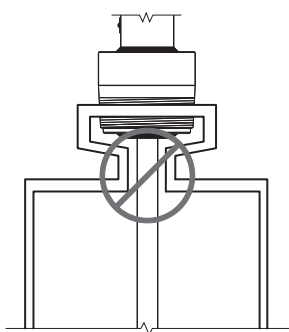
## 2. Nozzle

Single rod performance in nozzles can be improved by ensuring the following:

- Nozzle must be 50 mm (2") or larger diameter.
- Nozzle should be as short as possible.
- Nozzle inside diameter (A) should be  $\geq$  to nozzle height (B).
  - If this is not the case, adjustments to BLOCKING DISTANCE and/or SENSITIVITY parameters may be required.



**Correct Installation**



**Pipe reducers should not be used**

## 3. Metallic (conductive) obstructions in tank.

Although it depends on the transmitter configuration, objects in the proximity of the probe can cause erroneous readings. Please refer to the table below for guidelines, but please contact the factory with any questions as the distances shown can be reduced with the use of PACTware™.

Distance to probe	Acceptable objects
< 150 mm (6")	Continuous, smooth, parallel, conductive surface (e.g. metal tank wall); probe should not touch tank wall
> 150 mm (6")	< 1"/DN25 diameter pipe and beams, ladder rungs
> 300 mm (12")	< 3"/DN80 diameter pipe and beams, concrete walls
> 450 mm (18")	All remaining objects

**Note:** A metal stillwell/cage of max. 6"/DN150 size or a metal tank wall parallel to the probe within 150 mm (6") will allow the unit to operate accurately in media with dielectrics down to  $\epsilon_r$  1.4.

## 4. Non-metallic vessels

A metal flange is highly recommended for optimum performance in plastic vessels.

**NOTE:** Single rod probes must be used in metallic vessels or stillwell to maintain CE noise immunity.

## Shutdown / Overfill protection

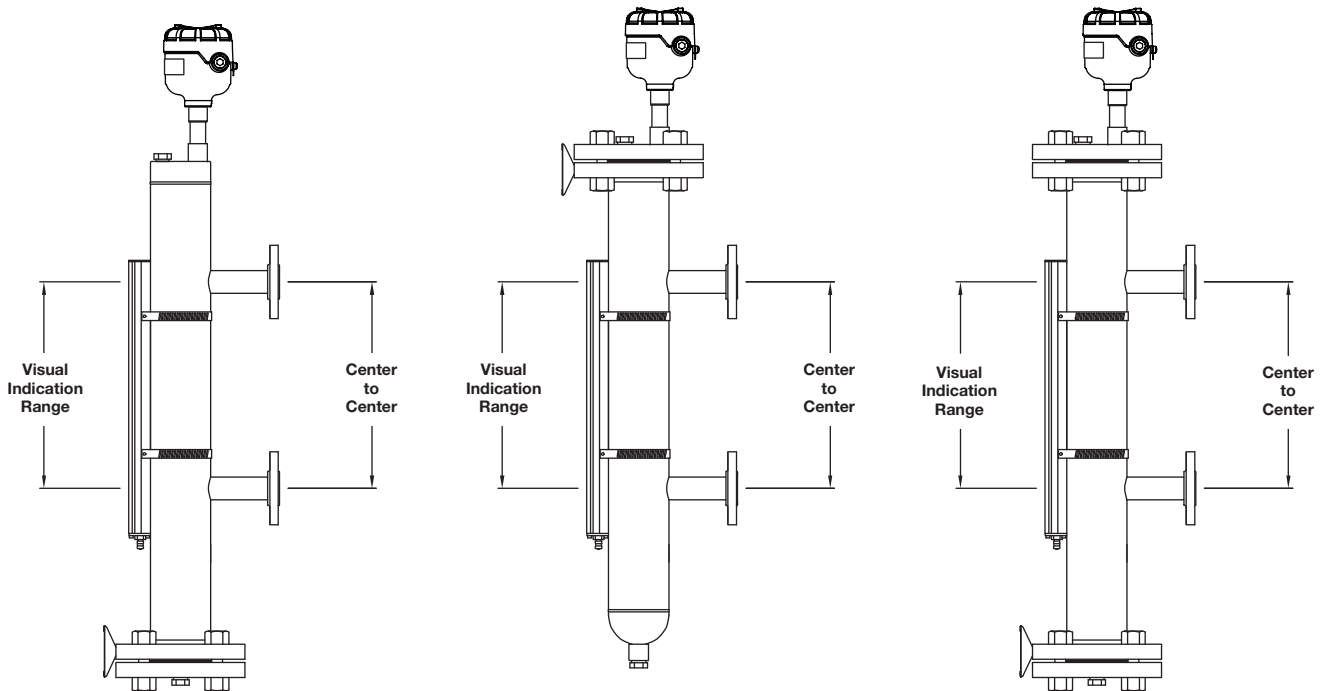
Special consideration is necessary in any shutdown/overfill protection application where single rod GWR probes are used. To ensure proper measurement, use Overfill Capable single rod probes, such as the Model 7yG, L, or J Caged probes in the appropriate cage/chamber/stillwell. Refer to the Model 706 bulletin BE57-106 for more information.

The Orion Instruments<sup>®</sup> Aurora<sup>®</sup> is the patented combination of the ECLIPSE Guided Wave Radar transmitter and a Magnetic Level Indicator (MLI). The integration of these two independent technologies provides excellent redundancy. A custom float positioned within the AURORA chamber travels up and down following level changes. The float contains an internal group of magnets that are “coupled” with magnets in the flags of the visual indicator mounted on the outside of the chamber. As the float moves, the flags rotate to expose the color of their opposite side. The position where the flag’s color changes corresponds to a point on the measuring scale indicating true level. In addition to this external visual indicator operated by the AURORA internal float, the ECLIPSE Model 700 transmitter reflects electromagnetic radar pulses directly off the liquid surface providing a real-time continuous level output.

Refer to the AURORA brochure BE57-138 for details and additional options on AURORA chambers.

Regardless of whether a standard chamber or AURORA chamber is being used it is important to remember:

- Ensure that the Model 700 probe extends at least 100 mm (4") past the lower process connection of the chamber
- Utilize Overflow-capable probes for optimal GWR performance.



#### QUALITY ASSURANCE - ISO 9001

THE QUALITY ASSURANCE SYSTEM IN PLACE AT MAGNETROL GUARANTEES THE HIGHEST LEVEL OF QUALITY DURING THE DESIGN, THE CONSTRUCTION AND THE SERVICE OF CONTROLS. OUR QUALITY ASSURANCE SYSTEM IS APPROVED AND CERTIFIED TO ISO 9001 AND OUR TOTAL COMPANY IS COMMITTED TO PROVIDING FULL CUSTOMER SATISFACTION BOTH IN QUALITY PRODUCTS AND QUALITY SERVICE.

#### PRODUCT WARRANTY

ALL MAGNETROL ELECTRONIC AND ULTRASONIC LEVEL CONTROLS ARE WARRANTED FREE OF DEFECTS IN MATERIALS AND WORKMANSHIP FOR 18 MONTHS FROM THE DATE OF ORIGINAL FACTORY SHIPMENT. IF RETURNED WITHIN THE WARRANTY PERIOD; AND, UPON FACTORY INSPECTION OF THE CONTROL, THE CAUSE OF THE CLAIM IS DETERMINED TO BE COVERED UNDER THE WARRANTY; THEN, MAGNETROL INTERNATIONAL WILL REPAIR OR REPLACE THE CONTROL AT NO COST TO THE PURCHASER (OR OWNER) OTHER THAN TRANSPORTATION. MAGNETROL SHALL NOT BE LIABLE FOR MISAPPLICATION, LABOR CLAIMS, DIRECT OR CONSEQUENTIAL DAMAGE OR EXPENSE ARISING FROM THE INSTALLATION OR USE OF THE EQUIPMENT. THERE ARE NO OTHER WARRANTIES EXPRESSED OR IMPLIED, EXCEPT, SPECIAL WRITTEN WARRANTIES COVERING SOME MAGNETROL PRODUCTS.

UNDER RESERVE OF MODIFICATIONS

BULLETIN: BE 57-108.2  
EFFECTIVE: AUGUST 2021  
SUPERSEDES: JUNE 2020

#### European Headquarters & Manufacturing Facility

Heikensstraat 6

9240 Zele, Belgium

Tel: +32-(0)52-45.11.11

e-mail: [info.magnetrolbe@ametek.com](mailto:info.magnetrolbe@ametek.com)

[www.ametek-measurement.com](http://www.ametek-measurement.com)



**MAGNETROL®**

**AMETEK®**